

## Knobs with integral indicator

gravity drive, technopolymer

### DIAMOND CUT KNURLED KNOB

Glass-fibre reinforced polyamide based (PA) technopolymer, black colour, matte finish.  
Moulded-in spindle.

### BEZEL

Technopolymer. Moulded over the window.

### WINDOW

Transparent polyamide based (PA-T) technopolymer (practically unbreakable).  
Resistant to solvents, oils, greases and other chemical agents (avoid contact with alcohol during cleaning operations).

### DIAL

Natural matte anodised aluminium.  
Clockwise (D) or anti-clockwise (S) graduation, black colour.

### STANDARD EXECUTION

Black-oxide steel boss, H7 reamed blind hole, fitting to shaft by means of a supplied grub screw with hexagon socket and cup end UNI 5929-85.

### READING

The black pointer indicates the number of turns of the spindle from the start position (0); the red pointer indicates the fractions of turn. Ballrace rotation: maximum reading accuracy.

### RATIO

To choose the ratio see "Gravity position indicators introduction" (on page 690).

### IP PROTECTION

The ultrasonic welding of the window to the case guarantees the complete sealing with IP 67 protection class, see EN 60529 table (on page A23).

### FEATURES AND APPLICATIONS

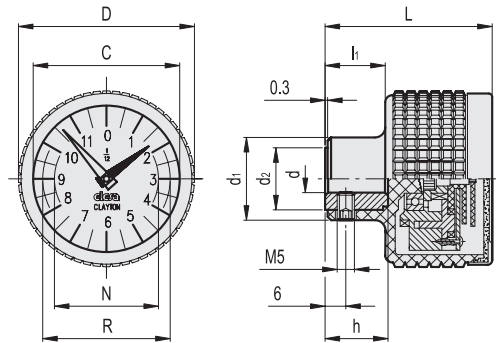
The knobs with integral gravity position indicator are suitable on spindles with horizontal or max 60° inclined axis.

### SPECIAL EXECUTIONS ON REQUEST

- special dial with logo or customized graduations
- special ratios
- filling with glycerine, maximum continuous working temperature 40°C
- single pointer.



ELESA Original design



Series	D	L	d1	d2	l1	dH7	h	C	R	N	⚖
MBT.50-GA11	51	48	24	18	16.5	8	17	42	37	30	120
MBT.70-GA12	70	52	28	22	19	10	22	60	51	44	200

Example of description for ordering

**MBT.50-GA11 - 0002 - D**

Series

Ratio

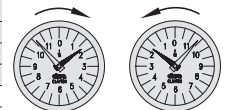
Graduation

Increasing graduation

MBT.50-GA11 MBT.70-GA12

Ratio	Description	Ratio	Description	Ratio	Description	Ratio	Description
2	0002	12	0012	36	0036	100	0100
4	0004	15	0015	40	0040	120	0120
5	0005	16	0016	48	0048	150 *	0150
6	0006	20	0020	50	0050	200 *	0200
8	0008	24	0024	60	0060		
10	0010	30	0030	72	0072		

clockwise **D** anti-clockwise **S**



\* Available only for MBT.70-GA12