

Bridge handle

Technopolymer

MATERIAL

Glass-fibre reinforced polyamide based (PA) technopolymer, black colour, glossy finish.

SCREW-COVERS

- ECA.B: glass-fibre reinforced polyamide based (PA) technopolymer, in Elecolors colours, matte finish, press-fit assembly. Supplied, removable by a screwdriver.

Available also as accessory sold separately (see table).

STANDARD EXECUTIONS

- **M.479/150-8**: pass-through holes for cylindrical-head screws with hexagon socket.

Screw covers to be press-fit assembled.

- **M.479/150 B-M8**: brass bosses, threaded holes.

Screw covers supplied assembled.

TECHNICAL DATA

Tensile stress and impact strength: F1, F2, L1 and L2 values reported in the table are the result of breaking tests carried out with the appropriate dynamometric equipment under the test conditions shown in the figure with ambient temperature.

ACCESSORIES ON REQUEST

- ECA.B: glass-fibre reinforced polyamide based (PA) technopolymer screw-covers, in Elecolors colours, matte finish, press-fit assembly (see table).

C1 RAL7021
 C2 RAL2004
 C3 RAL7035
 C4 RAL1021
 C5 RAL5024
 C6 RAL3000
 C17 RAL6017

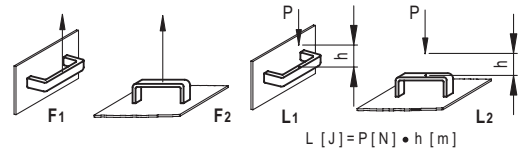
ECA.B

Code	Description	Screw-cover for
29831-*	ECA.B1-*	M.479/150

* Complete with colour index (C1, ..., C6).

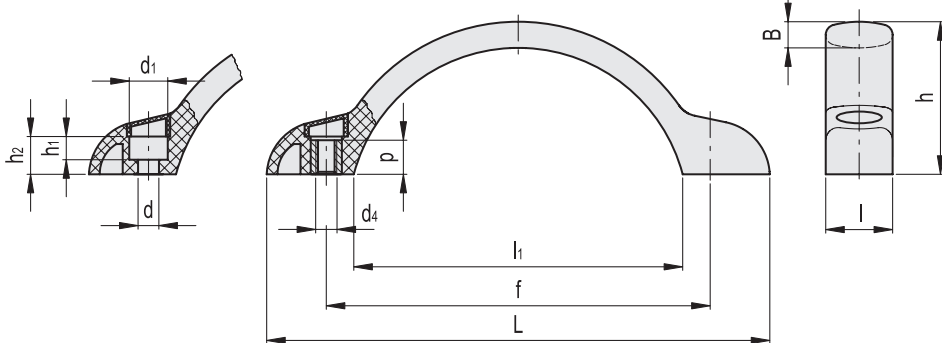


ELESA Original design



M.479/150-8

M.479/150 B-M8



* Complete with colour index, example: 37461-C2 M.479/150-8-C2

C1 RAL7021
 C2 RAL2004
 C3 RAL7035
 C4 RAL1021
 C5 RAL5024
 C6 RAL3000
 C17 RAL6017

Code	Description	L	f	d4	d	d1	h	h1	h2	B	l	li	p	F1 [N]	F2 [N]	L1 [J]	L2 [J]	⚖️
37461-*	M.479/150-8-*	173	132±0.5	-	8.5	13.5	52.5	8.5	13	8	23	113	-	2100	2600	15	7	49
37466-*	M.479/150 B-M8-*	173	132±0.5	M8	-	-	52.5	-	-	8	23	113	12	2100	2600	15	7	57

