

Levelling feet for ground mounting

technopolymer base, SUPER-technopolymer joint

BASE

Glass-fibre reinforced polyamide based (PA) technopolymer, black colour, matte finish.

BALL JOINT

Glass-fibre reinforced polyamide based (PA) SUPER-technopolymer, black colour.

STANDARD EXECUTIONS

- **LV.F+SJF**: without no-slip disk.
- **LV.F-AS+SJF**: with NBR rubber no-slip disk, hardness 70 Shore A, supplied assembled to the base.

FEATURES AND APPLICATIONS

The special knurling under the base edge that rests on the ground provides excellent grip and stability on uneven surfaces even without the no-slip disk.

The particular assembling system of the no-slip disk to the base assures a perfect anchoring, preventing separation even in case of impact during transport or of adhesion (sticking) to the floor (see No-slip disk).

Used for direct fixing using standard screws, without the need for a threaded stem.

GROUND MOUNTING

By means of two holes at 180°, supplied covered by a diaphragm (which can be easily removed by a metal tool), to avoid all unhealthy deposits of dirt and dust when the ground mounting is not required (see Fig.1).

ANOTHER STANDARD EXECUTION

SJF: ball joint.



ELESA Original design

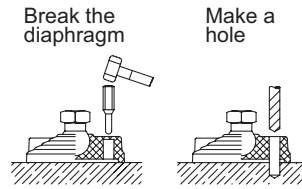
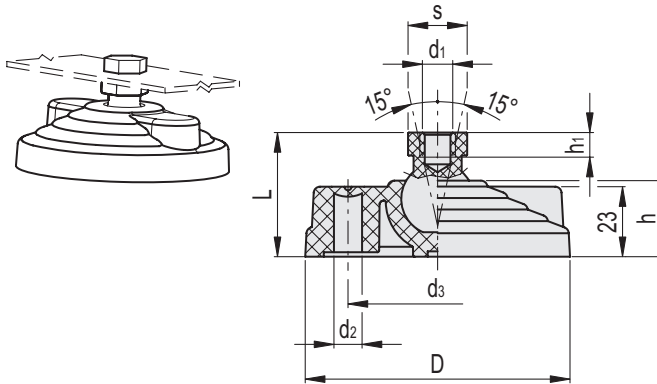


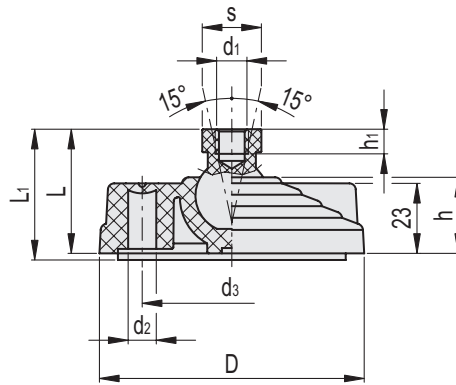
Fig.1



LV.F+SJF

Code	Description	D	d ₁	L	d ₂	d ₃	h	h ₁	s	Articulation Ø	Maximum tightening torque for the screw [Nm]	Max. limit static load* [N]	⚖
300141	LV.F-80-14+SJF-M6	80	M6	35	8.5	54	24	10	16	14	4	6900	61
300142	LV.F-80-14+SJF-M8	80	M8	35	8.5	54	24	10	16	14	6	8200	60
300146	LV.F-80-24+SJF-M10	80	M10	44	8.5	54	24	16	24	24	10	9700	98
300147	LV.F-80-24+SJF-M12	80	M12	44	8.5	54	24	16	24	24	12	9700	97
300151	LV.F-100-14+SJF-M6	100	M6	36	12.5	70	24	10	16	14	4	7500	91
300152	LV.F-100-14+SJF-M8	100	M8	36	12.5	70	24	10	16	14	6	9000	90
300156	LV.F-100-24+SJF-M10	100	M10	44	12.5	70	24	16	24	24	10	14000	104
300157	LV.F-100-24+SJF-M12	100	M12	44	12.5	70	24	16	24	24	12	14000	103
300161	LV.F-125-24+SJF-M10	125	M10	65.4	12.5	95	46	16	24	24	10	16800	219
300162	LV.F-125-24+SJF-M12	125	M12	65.4	12.5	95	46	16	24	24	12	16800	218

* The max static load is the value above which the load applied to the element may cause some plastic material breakage, in particular conditions of use. Obviously, a factor that takes into consideration the importance and the safety level of the specific application must be applied to this value.



LV.F-AS+SJF

Code	Description	D	d1	L	L1	d2	d3	h	h1	s	Articulation ∅	Maximum tightening torque for the screw [Nm]	Max. limit static load* [N]	⚖
300241	LV.F-80-14-AS+SJF-M6	80	M6	35	38	8.5	54	24	10	16	14	4	6900	87
300242	LV.F-80-14-AS+SJF-M8	80	M8	35	38	8.5	54	24	10	16	14	6	8200	86
300246	LV.F-80-24-AS+SJF-M10	80	M10	44	47	8.5	54	24	16	24	24	10	9700	81
300247	LV.F-80-24-AS+SJF-M12	80	M12	44	47	8.5	54	24	16	24	24	12	9700	80
300251	LV.F-100-14-AS+SJF-M6	100	M6	36	39	12.5	70	24	10	16	14	4	7500	145
300252	LV.F-100-14-AS+SJF-M8	100	M8	36	39	12.5	70	24	10	16	14	6	9000	144
300256	LV.F-100-24-AS+SJF-M10	100	M10	44	47	12.5	70	24	16	24	24	10	14000	158
300257	LV.F-100-24-AS+SJF-M12	100	M12	44	47	12.5	70	24	16	24	24	12	14000	157
300261	LV.F-125-24-AS+SJF-M10	125	M10	65.4	68.4	12.5	95	46	16	24	24	10	16800	344
300262	LV.F-125-24-AS+SJF-M12	125	M12	65.4	68.4	12.5	95	46	16	24	24	12	16800	343

* The max static load is the value above which the load applied to the element may cause some plastic material breakage, in particular conditions of use. Obviously, a factor that takes into consideration the importance and the safety level of the specific application must be applied to this value.

