

## Levelling feet

### Technopolymer base, stainless steel stem

#### BASE

Glass-fibre reinforced polyamide based (PA) technopolymer, black colour, matte finish.

#### ARTICULATED STEM

Threaded AISI 304 stainless steel with adjusting square.

#### STANDARD EXECUTIONS

- **LSQ.A-SST**: without no-slip disk.
- **LSQ.A-AS-SST**: with NBR rubber no-slip disk, hardness 70 Shore A, supplied assembled to the base.

#### FEATURES

The particular assembling system of the no-slip disk to the base assures a perfect anchoring, preventing separation even in case of impact during transport or of adhesion (sticking) to the floor (see No-slip disk).

#### ORDER INFORMATION

The levelling elements are supplied unassembled to make carriage and storage easier. The components (base and stem) are supplied in separate packing; less volume taken and better protection from scratches and dirt.

To order bases and stems separately, see:

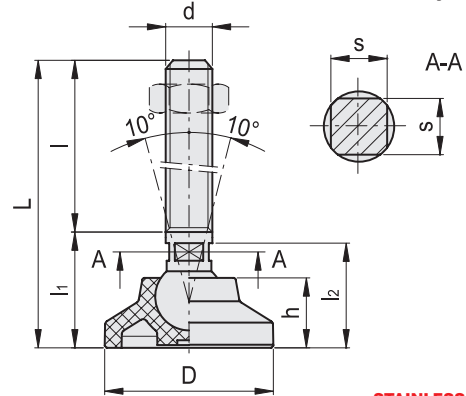
- table of possible combinations Bases/Stems
- codes of the Bases
- codes of the Stems

#### ACCESSORIES ON REQUEST

AISI 304 stainless steel nut (see Nuts NT.).



ELESA Original design

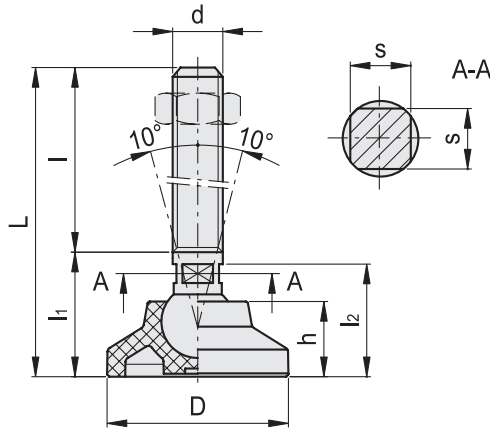


STAINLESS STEEL

#### LSQ.A-SST

Code	Description	D	d	L	l	l <sub>2</sub>	h	s	Articulation Ø	Max. limit static load* [N]	⚖️	
359991	LSQ.A-25-8.5-SST-M8x48	25	M8	68	48	20	18.5	12	7	8.5	5000	24
359993	LSQ.A-25-8.5-SST-M8x73	25	M8	93	73	20	18.5	12	7	8.5	5000	34
360001	LSQ.A-25-8.5-SST-M10x48	25	M10	68	48	20	18.5	12	7	8.5	5000	31
360003	LSQ.A-25-8.5-SST-M10x73	25	M10	93	73	20	18.5	12	7	8.5	5000	47
360005	LSQ.A-25-8.5-SST-M10x103	25	M10	123	103	20	18.5	12	7	8.5	5000	65
360011	LSQ.A-25-8.5-SST-M12x48	25	M12	68	48	20	18.5	12	9	8.5	5000	42
360013	LSQ.A-25-8.5-SST-M12x73	25	M12	93	73	20	18.5	12	9	8.5	5000	64
360015	LSQ.A-25-8.5-SST-M12x103	25	M12	123	103	20	18.5	12	9	8.5	5000	95
360031	LSQ.A-25-14-SST-M16x68	25	M16	92	68	24	22.5	12	12	14	5000	100
360033	LSQ.A-25-14-SST-M16x108	25	M16	132	108	24	22.5	12	12	14	5000	164
360035	LSQ.A-25-14-SST-M16x148	25	M16	172	148	24	22.5	12	12	14	5000	228
360037	LSQ.A-25-14-SST-M16x168	25	M16	192	168	24	22.5	12	12	14	5000	260
360091	LSQ.A-32-8.5-SST-M8x48	32	M8	71	48	23	21.5	15	7	8.5	6000	28
360093	LSQ.A-32-8.5-SST-M8x73	32	M8	96	73	23	21.5	15	7	8.5	6000	38
360101	LSQ.A-32-8.5-SST-M10x48	32	M10	71	48	23	21.5	15	7	8.5	6000	35
360103	LSQ.A-32-8.5-SST-M10x73	32	M10	96	73	23	21.5	15	7	8.5	6000	51
360105	LSQ.A-32-8.5-SST-M10x103	32	M10	126	103	23	21.5	15	7	8.5	6000	69
360111	LSQ.A-32-8.5-SST-M12x48	32	M12	71	48	23	21.5	15	9	8.5	6000	46
360113	LSQ.A-32-8.5-SST-M12x73	32	M12	96	73	23	21.5	15	9	8.5	6000	68
360115	LSQ.A-32-8.5-SST-M12x103	32	M12	126	103	23	21.5	15	9	8.5	6000	99
360131	LSQ.A-32-14-SST-M16x68	32	M16	92	68	24	22.5	15	12	14	7000	104
360133	LSQ.A-32-14-SST-M16x108	32	M16	132	108	24	22.5	15	12	14	7000	168
360135	LSQ.A-32-14-SST-M16x148	32	M16	172	148	24	22.5	15	12	14	7000	232
360137	LSQ.A-32-14-SST-M16x168	32	M16	192	168	24	22.5	15	12	14	7000	264

\* The max static load is the value above which the load applied to the element may cause some plastic material breakage, in particular conditions of use. Obviously, a factor that takes into consideration the importance and the safety level of the specific application must be applied to this value.



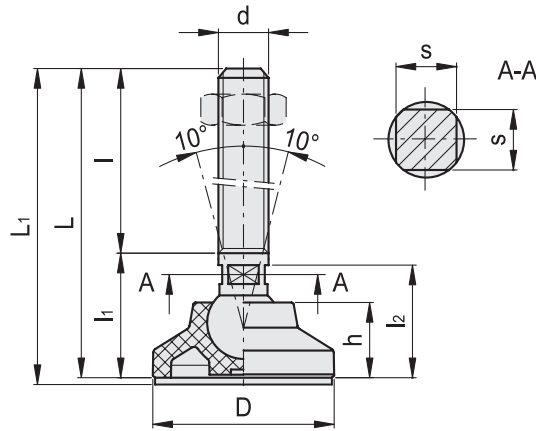
LSQ.A-SST

STAINLESS STEEL

Code	Description	D	d	L	l	li	l2	h	s	Articulation ∅	Max. limit static load* [N]	⚖
360191	LSQ.A-40-8.5-SST-M8x48	40	M8	73	48	25	23.5	17	7	8.5	7000	33
360193	LSQ.A-40-8.5-SST-M8x73	40	M8	98	73	25	23.5	17	7	8.5	7000	43
360201	LSQ.A-40-8.5-SST-M10x48	40	M10	73	48	25	23.5	17	7	8.5	7000	40
360203	LSQ.A-40-8.5-SST-M10x73	40	M10	98	73	25	23.5	17	7	8.5	7000	56
360205	LSQ.A-40-8.5-SST-M10x103	40	M10	128	103	25	23.5	17	7	8.5	7000	74
360211	LSQ.A-40-8.5-SST-M12x48	40	M12	73	48	25	23.5	17	9	8.5	7000	51
360213	LSQ.A-40-8.5-SST-M12x73	40	M12	98	73	25	23.5	17	9	8.5	7000	73
360215	LSQ.A-40-8.5-SST-M12x103	40	M12	128	103	25	23.5	17	9	8.5	7000	104
360231	LSQ.A-40-14-SST-M16x68	40	M16	93	68	25	23.5	17	12	14	10000	109
360233	LSQ.A-40-14-SST-M16x108	40	M16	133	108	25	23.5	17	12	14	10000	173
360235	LSQ.A-40-14-SST-M16x148	40	M16	173	148	25	23.5	17	12	14	10000	237
360237	LSQ.A-40-14-SST-M16x168	40	M16	193	168	25	23.5	17	12	14	10000	269
360291	LSQ.A-50-8.5-SST-M8x48	50	M8	75	48	27	25.5	19	7	8.5	7000	39
360293	LSQ.A-50-8.5-SST-M8x73	50	M8	100	73	27	25.5	19	7	8.5	7000	49
360301	LSQ.A-50-8.5-SST-M10x48	50	M10	75	48	27	25.5	19	7	8.5	7000	46
360303	LSQ.A-50-8.5-SST-M10x73	50	M10	100	73	27	25.5	19	7	8.5	7000	62
360305	LSQ.A-50-8.5-SST-M10x103	50	M10	130	103	27	25.5	19	7	8.5	7000	80
360311	LSQ.A-50-8.5-SST-M12x48	50	M12	75	48	27	25.5	19	9	8.5	7000	57
360313	LSQ.A-50-8.5-SST-M12x73	50	M12	100	73	27	25.5	19	9	8.5	7000	79
360315	LSQ.A-50-8.5-SST-M12x103	50	M12	130	103	27	25.5	19	9	8.5	7000	110
360331	LSQ.A-50-14-SST-M16x68	50	M16	95	68	27	25.5	19	12	14	10000	115
360333	LSQ.A-50-14-SST-M16x108	50	M16	135	108	27	25.5	19	12	14	10000	179
360335	LSQ.A-50-14-SST-M16x148	50	M16	175	148	27	25.5	19	12	14	10000	243
360337	LSQ.A-50-14-SST-M16x168	50	M16	195	168	27	25.5	19	12	14	10000	275
360391	LSQ.A-60-14-SST-M16X68	60	M16	104	68	36	34.5	24	12	14	14000	125
360393	LSQ.A-60-14-SST-M16X108	60	M16	144	108	36	34.5	24	12	14	14000	195
360401	LSQ.A-60-14-SST-M16X148	60	M16	184	148	36	34.5	24	12	14	14000	255
360403	LSQ.A-60-14-SST-M16X168	60	M16	204	158	36	34.5	24	12	14	14000	280
360405	LSQ.A-60-14-SST-M20X110	60	M20	151	110	41	38.5	24	15	14	14000	374
360411	LSQ.A-60-14-SST-M20X150	60	M20	191	150	41	38.5	24	15	14	14000	405
360413	LSQ.A-60-14-SST-M20X170	60	M20	211	170	41	38.5	24	15	14	14000	440
360415	LSQ.A-60-14-SST-M20X210	60	M20	251	210	41	38.5	24	15	14	14000	505

\* The max static load is the value above which the load applied to the element may cause some plastic material breakage, in particular conditions of use. Obviously, a factor that takes into consideration the importance and the safety level of the specific application must be applied to this value.





LSQ.A-AS-SST

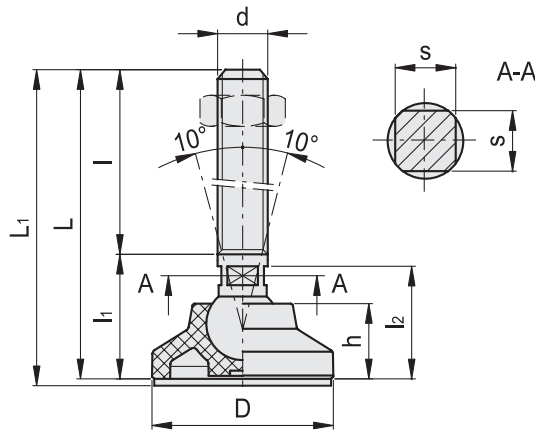
STAINLESS STEEL

Code	Description	D	d	L	L <sub>1</sub>	l	l <sub>1</sub>	l <sub>2</sub>	h	s	Articulation Ø	Max. limit static load* [N]	⚖
360491	LSQ.A-25-8.5-AS-SST-M8x48	25	M8	68	71	48	20	18.5	12	7	8.5	5000	26
360493	LSQ.A-25-8.5-AS-SST-M8x73	25	M8	93	96	73	20	18.5	12	7	8.5	5000	36
360501	LSQ.A-25-8.5-AS-SST-M10x48	25	M10	68	71	48	20	18.5	12	7	8.5	5000	33
360503	LSQ.A-25-8.5-AS-SST-M10x73	25	M10	93	96	73	20	18.5	12	7	8.5	5000	49
360505	LSQ.A-25-8.5-AS-SST-M10x103	25	M10	123	126	103	20	18.5	12	7	8.5	5000	67
360511	LSQ.A-25-8.5-AS-SST-M12x48	25	M12	68	71	48	20	18.5	12	9	8.5	5000	44
360513	LSQ.A-25-8.5-AS-SST-M12x73	25	M12	93	96	73	20	18.5	12	9	8.5	5000	66
360515	LSQ.A-25-8.5-AS-SST-M12x103	25	M12	123	126	103	20	18.5	12	9	8.5	5000	97
360531	LSQ.A-25-14-AS-SST-M16x68	25	M16	92	95	68	24	22.5	12	12	14	5000	102
360533	LSQ.A-25-14-AS-SST-M16x108	25	M16	132	135	108	24	22.5	12	12	14	5000	166
360535	LSQ.A-25-14-AS-SST-M16x148	25	M16	172	175	148	24	22.5	12	12	14	5000	230
360537	LSQ.A-25-14-AS-SST-M16x168	25	M16	192	195	168	24	22.5	12	12	14	5000	262
360591	LSQ.A-32-8.5-AS-SST-M8x48	32	M8	71	74	48	23	21.5	15	7	8.5	6000	32
360593	LSQ.A-32-8.5-AS-SST-M8x73	32	M8	96	99	73	23	21.5	15	7	8.5	6000	42
360601	LSQ.A-32-8.5-AS-SST-M10x48	32	M10	71	74	48	23	21.5	15	7	8.5	6000	39
360603	LSQ.A-32-8.5-AS-SST-M10x73	32	M10	96	99	73	23	21.5	15	7	8.5	6000	55
360605	LSQ.A-32-8.5-AS-SST-M10x103	32	M10	126	129	103	23	21.5	15	7	8.5	6000	73
360611	LSQ.A-32-8.5-AS-SST-M12x48	32	M12	71	74	48	23	21.5	15	9	8.5	6000	50
360613	LSQ.A-32-8.5-AS-SST-M12x73	32	M12	96	99	73	23	21.5	15	9	8.5	6000	72
360615	LSQ.A-32-8.5-AS-SST-M12x103	32	M12	126	129	103	23	21.5	15	9	8.5	6000	103
360631	LSQ.A-32-14-AS-SST-M16x68	32	M16	92	95	68	24	22.5	15	12	14	7000	108
360633	LSQ.A-32-14-AS-SST-M16x108	32	M16	132	135	108	24	22.5	15	12	14	7000	172
360635	LSQ.A-32-14-AS-SST-M16x148	32	M16	172	175	148	24	22.5	15	12	14	7000	236
360637	LSQ.A-32-14-AS-SST-M16x168	32	M16	192	195	168	24	22.5	15	12	14	7000	268
360691	LSQ.A-40-8.5-AS-SST-M8x48	40	M8	73	76	48	25	23.5	17	7	8.5	7000	40
360693	LSQ.A-40-8.5-AS-SST-M8x73	40	M8	98	101	73	25	23.5	17	7	8.5	7000	50
360701	LSQ.A-40-8.5-AS-SST-M10x48	40	M10	73	76	48	25	23.5	17	7	8.5	7000	47
360703	LSQ.A-40-8.5-AS-SST-M10x73	40	M10	98	101	73	25	23.5	17	7	8.5	7000	63
360705	LSQ.A-40-8.5-AS-SST-M10x103	40	M10	128	131	103	25	23.5	17	7	8.5	7000	81
360711	LSQ.A-40-8.5-AS-SST-M12x48	40	M12	73	76	48	25	23.5	17	9	8.5	7000	58
360713	LSQ.A-40-8.5-AS-SST-M12x73	40	M12	98	101	73	25	23.5	17	9	8.5	7000	80
360715	LSQ.A-40-8.5-AS-SST-M12x103	40	M12	128	131	103	25	23.5	17	9	8.5	7000	111
360731	LSQ.A-40-14-AS-SST-M16x68	40	M16	93	96	68	25	23.5	17	12	14	10000	116
360733	LSQ.A-40-14-AS-SST-M16x108	40	M16	133	136	108	25	23.5	17	12	14	10000	180
360735	LSQ.A-40-14-AS-SST-M16x148	40	M16	173	176	148	25	23.5	17	12	14	10000	244
360737	LSQ.A-40-14-AS-SST-M16x168	40	M16	193	196	168	25	23.5	17	12	14	10000	276

\* The max static load is the value above which the load applied to the element may cause some plastic material breakage, in particular conditions of use. Obviously, a factor that takes into consideration the importance and the safety level of the specific application must be applied to this value.



Levelling elements 11



LSQ.A-AS-SST

STAINLESS STEEL

Code	Description	D	d	L	L <sub>1</sub>	l	l <sub>1</sub>	l <sub>2</sub>	h	s	Articulation Ø	Max. limit static load* [N]	⚖️
360791	LSQ.A-50-8.5-AS-SST-M8x48	50	M8	75	78	48	27	25.5	19	7	8.5	7000	51
360793	LSQ.A-50-8.5-AS-SST-M8x73	50	M8	100	103	73	27	25.5	19	7	8.5	7000	61
360801	LSQ.A-50-8.5-AS-SST-M10x48	50	M10	75	78	48	27	25.5	19	7	8.5	7000	58
360803	LSQ.A-50-8.5-AS-SST-M10x73	50	M10	100	103	73	27	25.5	19	7	8.5	7000	74
360805	LSQ.A-50-8.5-AS-SST-M10x103	50	M10	130	133	103	27	25.5	19	7	8.5	7000	92
360811	LSQ.A-50-8.5-AS-SST-M12x48	50	M12	75	78	48	27	25.5	19	9	8.5	7000	69
360813	LSQ.A-50-8.5-AS-SST-M12x73	50	M12	100	103	73	27	25.5	19	9	8.5	7000	91
360815	LSQ.A-50-8.5-AS-SST-M12x103	50	M12	130	133	103	27	25.5	19	9	8.5	7000	122
360831	LSQ.A-50-14-AS-SST-M16x68	50	M16	95	98	68	27	25.5	19	12	14	10000	127
360833	LSQ.A-50-14-AS-SST-M16x108	50	M16	135	138	108	27	25.5	19	12	14	10000	191
360835	LSQ.A-50-14-AS-SST-M16x148	50	M16	175	178	148	27	25.5	19	12	14	10000	255
360837	LSQ.A-50-14-AS-SST-M16x168	50	M16	195	198	168	27	25.5	19	12	14	10000	287
360891	LSQ.A-60-14-AS-SST-M16X68	60	M16	104	107	68	36	34.5	24	12	14	14000	137
360893	LSQ.A-60-14-AS-SST-M16X108	60	M16	144	147	108	36	34.5	24	12	14	14000	207
360901	LSQ.A-60-14-AS-SST-M16X148	60	M16	184	187	148	36	34.5	24	12	14	14000	267
360903	LSQ.A-60-14-AS-SST-M16X168	60	M16	204	207	158	36	34.5	24	12	14	14000	292
360905	LSQ.A-60-14-AS-SST-M20X110	60	M20	151	154	110	41	38.5	24	15	14	14000	386
360911	LSQ.A-60-14-AS-SST-M20X150	60	M20	191	194	150	41	38.5	24	15	14	14000	417
360913	LSQ.A-60-14-AS-SST-M20X170	60	M20	211	214	170	41	38.5	24	15	14	14000	452
360915	LSQ.A-60-14-AS-SST-M20X210	60	M20	251	254	210	41	38.5	24	15	14	14000	517

\* The max static load is the value above which the load applied to the element may cause some plastic material breakage, in particular conditions of use. Obviously, a factor that takes into consideration the importance and the safety level of the specific application must be applied to this value.

