

Knurled grip knobs for position indicators

Technopolymer

MATERIAL

Glass-fibre reinforced polyamide based (PA) technopolymer, black colour, glossy finish.

STANDARD EXECUTION

Black-oxide steel boss, H7 reamed hole, fitting to shaft by means of a supplied grub screw with hexagon socket and cup end UNI 5929-85.

INDICATOR CHOICE (TO BE ORDERED SEPARATELY)

IZN-XX knurled grip knobs can be used with analogue and digital-analogue gravity indicators.

To choose the indicator see the table below for possible assembly with indicators.

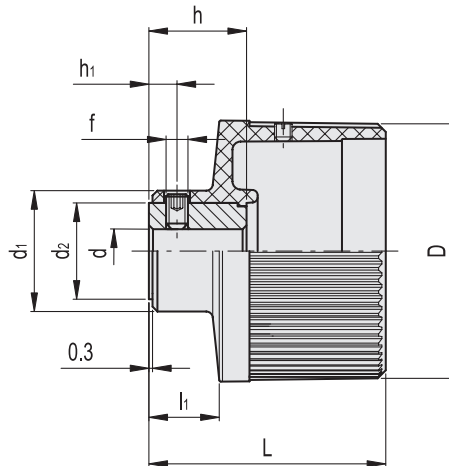
See also "Assembly instructions" (on page 690) for gravity indicators type G.

ACCESSORIES ON REQUEST

Cover CP-XX (see page 715) for fitting instead of the indicator.



ELESA Original design



Code	Description	D	L	dH7	h	d1	d2	f	h1	l1	⚖	Handwheel indicator combinations
CE.30101	IZN.60-GXX1 A-10	59	53	10	22	27	22	M5	6	15	110	GA01-GA11
CE.30201	IZN.80-GXX2 A-12	79	57	12	24	33	26	M5	6	17	190	GA02-GA12-GW12



Rotary controls 7