

Control knurled knobs

Technopolymer

MATERIAL

Glass-fibre reinforced polyamide based (PA) technopolymer, black colour, glossy finish.

BOSS CAP

ECA-I.ZN.381: acetal resin based (POM) technopolymer, in the Elecolors colours, push-fit assembly, removable by pressing on the outer edge (ELESA original design).

Available also as accessory sold separately (see table).

Wording, brands, graphic symbols, etc. can be pad printed on the surface in colour.

STANDARD EXECUTIONS

Black-oxide steel boss, H7 reamed hole.

Assembly with grub screw, without head, with hexagon socket in black-oxide steel; supplied already assembled.

- **I.ZN.381**: plain knob.

- **I.ZN.381+K**: knob with matte anodised aluminium flange, triangular black index.

- **I.ZN.381+FGS**: knob with matte anodised aluminium flange, black graduation (marks and numbers).

- FGS 10/40 = 40 marks, numbering from 0 to 9 increases as the knob is turned clockwise.

- FGS 10/100 = 100 marks, numbering from 0 to 9 increases as the knob is turned clockwise.

For other numbering (see Graduations).

ACCESSORIES ON REQUEST

Ball and spring for clicking operation to be fitted in the assembly hole for knobs with diameter $D \geq 48$ mm, available only for I.ZN.381 (see ball and spring MS.).

By adjusting the housing unit (unit made pass-through and threaded), facilitated by the presence of a pre-drilled hole in the top part of the knob, it is possible to use GN 615 ball and spring plungers (neutral execution) and GN 616 bolt spring plungers (knob with flange) to calibrate the pressure of the positioning element.

RAL9005	RAL2004	RAL7035	RAL1021	RAL5024	RAL3000	RAL6017

ECA-I.ZN.381

Code	Description	Caps for
29901-*	ECA.I.ZN.381/32-*	I.ZN.381/32
29906-*	ECA.I.ZN.381/40-*	I.ZN.381/40
29911-*	ECA.I.ZN.381/45-*	I.ZN.381/45
29916-*	ECA.I.ZN.381/50-*	I.ZN.381/50
29921-*	ECA.I.ZN.381/63-*	I.ZN.381/63

* Complete with colour index (C9, ..., C17).



* Complete with colour index, example: 30701-C2 I.ZN.381/32 A-6-C2

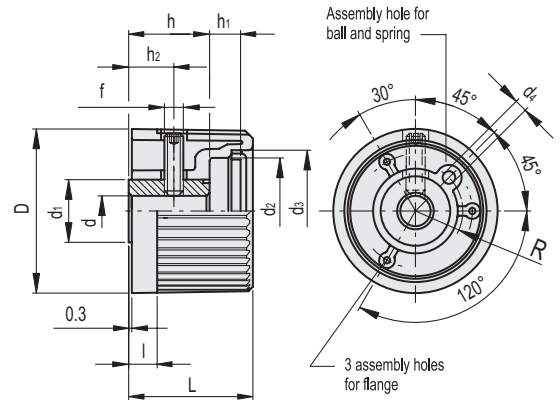
RAL9005	RAL2004	RAL7035	RAL1021	RAL5024	RAL3000	RAL6017



ELESA Original design



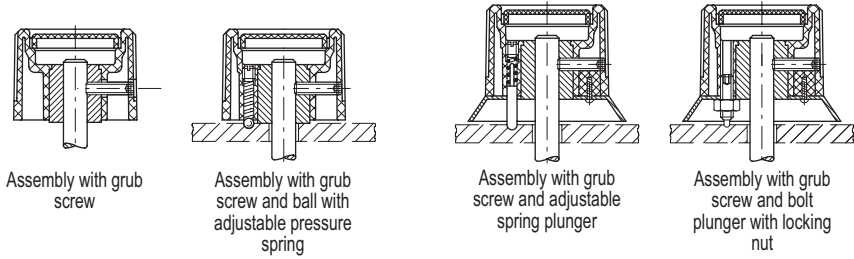
I.ZN.381



I.ZN.381

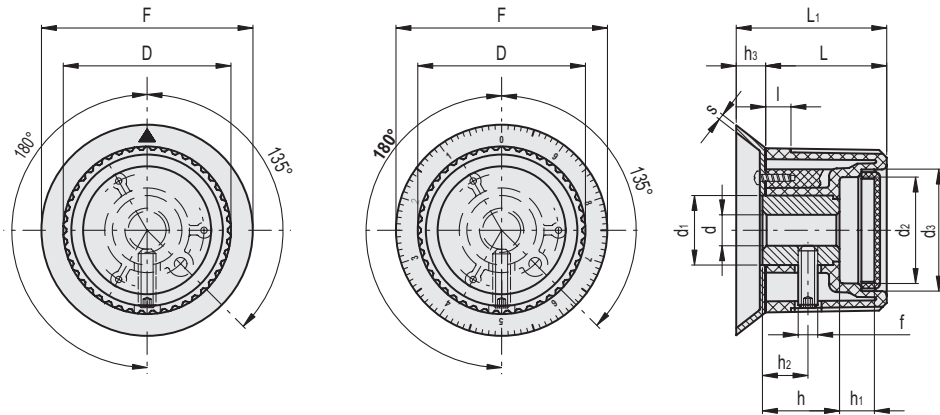
Code	Description	D	dh7	L	I	d1	d2	d3	d4	h	h1	h2	f	R	⚖
30701-*	I.ZN.381/32 A-6-*	32	6	26.5	5	15	19.5	21.5	-	16	6.5	9	M4	-	29.5
30711-*	I.ZN.381/40 A-8-*	42	8	32	7	18	29.5	31	-	17.5	11.5	10.5	M5	-	47.5
30721-*	I.ZN.381/45 A-8-*	48	8	35.5	8	22	33	34.5	3	22	8.5	14	M5	14	84.5
30731-*	I.ZN.381/50 A-10-*	52	10	38.5	8.5	22	37.5	39	4	22	12	13.5	M5	15.5	87
30741-*	I.ZN.381/50 A-12-*	52	12	38.5	8.5	22	37.5	39	4	22	12	13.5	M5	15.5	82
30751-*	I.ZN.381/63 A-10-*	63.5	10	44.5	11	26	48	50.5	6	30	10.5	16	M6	19	160
30761-*	I.ZN.381/63 A-12-*	63.5	12	44.5	11	26	48	50.5	6	30	10.5	16	M6	19	154
30771-*	I.ZN.381/63 A-14-*	63.5	14	44.5	11	26	48	50.5	6	30	10.5	16	M6	19	137.5

Assembly examples



IZN.381+K

IZN.381+FGS



* Complete with colour index, example: 30703-C2 IZN.381/32 A-6+K-C2

- C9**
RAL9005
- C2**
RAL2004
- C3**
RAL7035
- C4**
RAL1021
- C5**
RAL5024
- C6**
RAL3000
- C17**
RAL6017

IZN.381+K

Code	Description	D	dH7	L	L1	F	l	d1	d2	d3	h	h1	h2	h3	f	s	△
30703-*	IZN.381/32 A-6+K-*	32	6	26.5	32.5	38	5	15	19.5	21.5	16	6.5	9	6	M4	1	31
30713-*	IZN.381/40 A-8+K-*	42	8	32	39	50	7	18	29.5	31	17.5	11.5	10.5	7	M5	1	53
30723-*	IZN.381/45 A-8+K-*	48	8	35.5	43	55	8	22	33	34.5	22	8.5	14	7.5	M5	1	91
30733-*	IZN.381/50 A-10+K-*	52	10	38.5	47	62.5	8.5	22	37.5	39	22	12	13.5	8.5	M5	1	96
30753-*	IZN.381/63 A-10+K-*	63.5	10	44.5	57.5	77.5	11	26	48	50.5	30	10.5	16	13	M6	1	175
30763-*	IZN.381/63 A-12+K-*	63.5	12	44.5	57.5	77.5	11	26	48	50.5	30	10.5	16	13	M6	1	169
30773-*	IZN.381/63 A-14+K-*	63.5	14	44.5	57.5	77.5	11	26	48	50.5	30	10.5	16	13	M6	1	152.5



* Complete with colour index, example: 30706-C2 IZN.381/32 A-6+FGS-10/40-C2

- C9**
RAL9005
- C2**
RAL2004
- C3**
RAL7035
- C4**
RAL1021
- C5**
RAL5024
- C6**
RAL3000
- C17**
RAL6017

IZN.381+FGS

Code	Description	D	dH7	L	L1	F	l	d1	d2	d3	h	h1	h2	h3	f	s	△
30706-*	IZN.381/32 A-6+FGS-10/40-*	32	6	26.5	32.5	38	5	15	19.5	21.5	16	6.5	9	6	M4	1	31
30716-*	IZN.381/40 A-8+FGS-10/40-*	42	8	32	39	50	7	18	29.5	31	17.5	11.5	10.5	7	M5	1	53
30726-*	IZN.381/45 A-8+FGS-10/100-*	48	8	35.5	43	55	8	22	33	34.5	22	8.5	14	7.5	M5	1	91
30736-*	IZN.381/50 A-10+FGS-10/100-*	52	10	38.5	47	62.5	8.5	22	37.5	39	22	12	13.5	8.5	M5	1	96
30756-*	IZN.381/63 A-10+FGS-10/100-*	63.5	10	44.5	57.5	77.5	11	26	48	50.5	30	10.5	16	13	M6	1	175
30766-*	IZN.381/63 A-12+FGS-10/100-*	63.5	12	44.5	57.5	77.5	11	26	48	50.5	30	10.5	16	13	M6	1	169
30776-*	IZN.381/63 A-14+FGS-10/100-*	63.5	14	44.5	57.5	77.5	11	26	48	50.5	30	10.5	16	13	M6	1	152.5