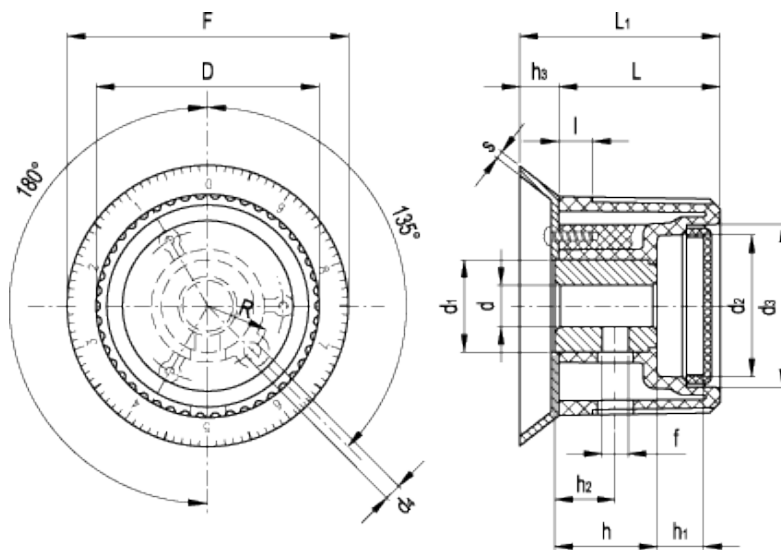


IZN.380+FGS

Knurled control knobs with graduated flange



ELESA Original design



technical informations

Material

Glass-fibre reinforced polyamide based (PA) technopolymer. Resistant to solvents, oils, greases and other chemical agents.

Colour

Black, glossy finish.

Boss cap

Acetal resin based (POM) technopolymer, light grey colour, push-fit assembly, removable by pressing on the outer edge (ELESA original design).

Flange

Matte anodised aluminium, black marks and numbers.

FGS 10/40 = left-hand graduation (numbering increases as the knob is turned clockwise), scale from 0 to 9 (40 dividing marks).
 FGS 10/100 = left-hand graduation (numbering increases as the knob is turned clockwise), scale from 0 to 9 (100 dividing marks).
 Graduation is laser-engraved: high-precision and perfect readability.
 For other numbering see [Graduations](#).

Assembly

Black-oxide steel boss, H7 reamed hole. Assembly by means of a set screw (redrill and tap hole f), with keyway or transversal pin in the semi-machined hole (f).

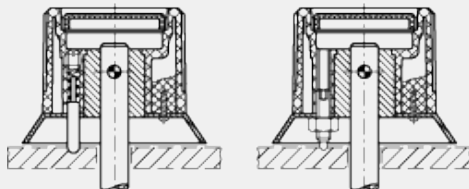
Accessories on request

Ball and spring for clicking operation to be fitted in the assembly hole for knobs with diameter $D \geq 48$ mm (see ball and spring [MS](#)).

Special executions on request (For sufficient quantities)

On the surface of the boss cap words, marks, graphic symbols, etc... can be tampoprinted in colours.

Assembly examples



Assembly by means of a transversal pin and spring plunger with adjustable pressure spring

Assembly by means of a transversal pin and plunger with locknut

Standard Elements		Main dimensions															Mounting hole		Weight	
Code	Description	D	F	L	L ₁	I	d ₁	d ₂	d ₃	d ₄	h ₁	h ₂	h ₃	f	R	s	d _{H7}	h	g	
29016	IZN.380/32 A-6+FGS-10/40	32	38	26	32	5	15	19	21	-	8	9	6	3	-	0.8		6	16	32
30016	IZN.380/36 A-6+FGS-10/40	37	45	29	36	6	15	25	27	-	10	10	7	3	-	1		6	16	40
30116	IZN.380/40 A-8+FGS-10/40	42	50	32	39	7	18	29	31	-	11	11	7	4	-	1		8	17	54
30216	IZN.380/45 A-8+FGS-10/100	48	55	35	43	8	22	32	34	3.2	10	14	8	4	14	1		8	22	93
30316	IZN.380/50 A-10+FGS-10/100	52	63	39	48	9	22	37	39	4.2	13	14	9	4	15	1		10	22	100
30416	IZN.380/56 A-12+FGS-10/100	58	70	41	52	10	26	42	44	5.2	11	16	11	5	17	1		12	27	140
30458	IZN.380/63 A-10+FGS-10/100	63	78	44	57	11	26	48	50	6.2	10	16	13	5	19	1		10	30	172
30473	IZN.380/63 A-12+FGS-10/100	63	78	44	57	11	26	48	50	6.2	10	16	13	5	19	1		12	30	167
30516	IZN.380/63 A-14+FGS-10/100	63	78	44	57	11	26	48	50	6.2	10	16	13	5	19	1		14	30	162

This product had the following design awards:



