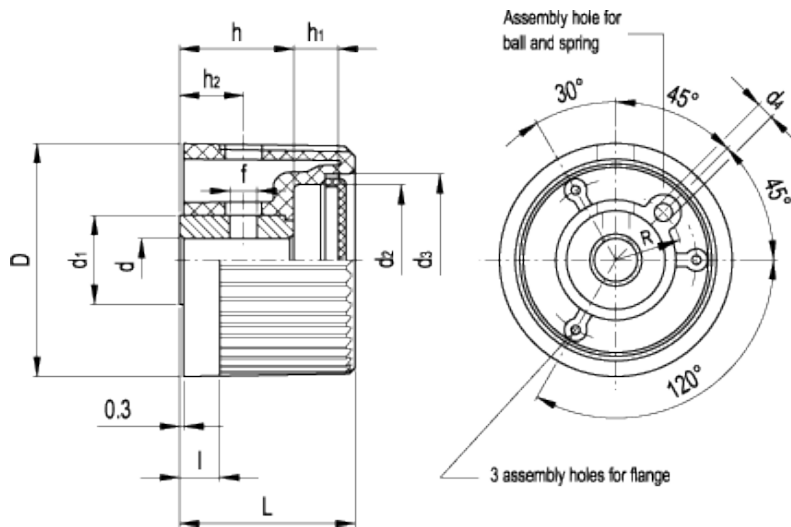


# IZN.380

Knurled control knobs



ELESA Original design



## technical informations

### Material

Glass-fibre polyamide based (PA) technopolymer. Resistant to solvents, oils, greases and other chemical agents.

### Colour

Black, glossy finish.

### Boss cap

Acetal resin based (POM) technopolymer, light grey colour, push-fit assembly, removable by pressing on the outer edge (ELESA original design).

### Assembly

Black-oxide steel boss, H7 reamed hole. Assembly by means of a set screw (redrill and tap hole f), with keyway or transversal pin in the semi-machined hole (f).

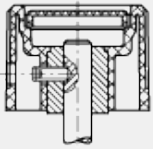
*Accessories on request*

Ball and spring for clicking operation to be fitted in the assembly hole for knobs with diameter  $D \geq 48$  mm (see ball and spring [MS.](#) ).

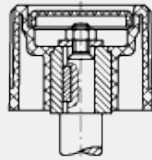
*Special executions on request (For sufficient quantities)*

On the surface of the boss cap words, marks, graphic symbols, etc... can be tampoprinted in colours.

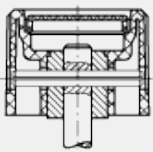
**Assembly examples**



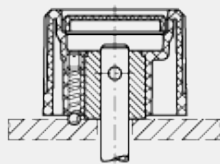
Assembly by means of a set screw



Assembly by means of a keyway



Assembly by means of a transversal pin



Assembly by means of a transversal pin and ball with adjustable pressure spring

Standard Elements		Main dimensions											Mounting hole		Weight
Code	Description	D	L	l	d <sub>1</sub>	d <sub>2</sub>	d <sub>3</sub>	d <sub>4</sub>	h <sub>1</sub>	h <sub>2</sub>	f	R	d <sub>H7</sub>	h	g
29001	IZN.380/32 A-6	32	26	5	15	19	21	-	8	9	3	-	6	16	28
30001	IZN.380/36 A-6	37	29	6	15	25	27	-	10	10	3	-	6	16	34
30101	IZN.380/40 A-8	42	32	7	18	29	31	-	11	11	4	-	8	17	48
30201	IZN.380/45 A-8	48	35	8	22	32	34	3.2	10	14	4	14	8	22	86
30301	IZN.380/50 A-10	52	39	9	22	37	39	4.2	13	14	4	15	10	22	90
30331	IZN.380/50 A-12	52	39	9	22	37	39	4.2	13	14	4	15	12	22	85
30401	IZN.380/56 A-12	58	41	10	26	42	44	5.2	11	16	5	17	12	27	130
30451	IZN.380/63 A-10	63	44	11	26	48	50	6.2	10	16	5	19	10	30	155
30466	IZN.380/63 A-12	63	44	11	26	48	50	6.2	10	16	5	19	12	30	150
30501	IZN.380/63 A-14	63	44	11	26	48	50	6.2	10	16	5	19	14	30	145
30601	IZN.380/80 A-16	80	48	12	26	59	62	6.2	13	17	5	24	16	30	175

This product had the following design awards:



ELESA and GANTER models all rights reserved in accordance with the law. Always mention the source when reproducing our drawings.

**STANDARD MACHINE ELEMENTS WORLDWIDE**