

Level indicators with protection frame

SUPER-Technopolymer and transparent technopolymer

BODY

Transparent polyamide based (PA-T) technopolymer. Highly resistant to shocks, solvents, oils with additives, aliphatic and aromatic hydrocarbons, petrol, naphtha, phosphoric esters. Avoid contact with alcohol or detergents containing alcohol.

PROTECTION FRAME

Glass-fibre reinforced polyamide based (PA) SUPER-technopolymer, black colour, matte finish. Supplied assembled, removable by a screwdriver.

PACKING RINGS

Step-shaped for the seal on the reservoir walls and NBR synthetic rubber O-ring screw underneath. Suggested roughness of the packing ring application surface $R_a = 3 \mu\text{m}$.

CONTRAST SCREEN

White lacquered aluminium. The housing, in the appropriate external rear slot, guarantees the best protection from direct contact with fluid. It can be taken out from the inclined side, before assembly to allow the insertion of level lines or words.

STANDARD EXECUTIONS

- **HCZ-PT**: zinc-plated steel screws, nuts and washers.
- **HCZ-PT-VT**: AISI 303 stainless steel screws, AISI 304 stainless steel nuts and washers.

MAXIMUM CONTINUOUS WORKING TEMPERATURE

90°C (with oil).

FEATURES AND PERFORMANCES

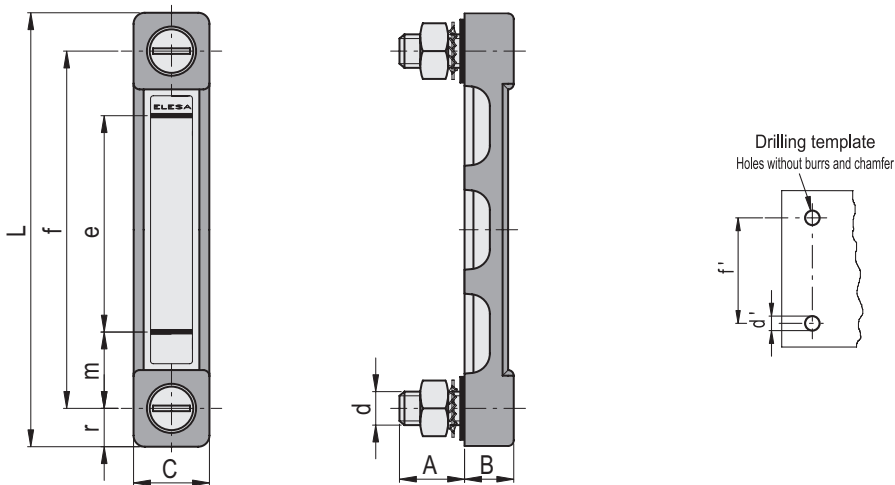
Ultrasound welding to guarantee a perfect seal. Maximum fluid level visibility even from side positions. Lens effect for a better visibility of the fluid level. Thanks to the SUPER-technopolymer screws, HCZ-PT-VT column level indicator can be used in corrosion resistance applications where stainless steel is not necessary. The special slotted head of the SUPER-technopolymer screws is especially designed to reach an optimum tightening of the packing rings by applying an adequate tightening torque (ELESA patent) thus avoiding unnecessary stress to the screws.

TECHNICAL DATA

In laboratory tests carried out with mineral oil type CB68 (according to ISO 3498) at 23°C for a limited period of time, the weld stood up to: 18 bar (HCZ.76-PT e HCZ.127-PT) 12 bar (HCZ.254-PT). Considering the SUPER-technopolymer screws, the maximum working pressure cannot be higher than 5 bar at 20°C and 2 bar at 90°C. For use with other fluids and under different pressure and temperature conditions, please contact ELESA Technical Department. In any case we suggest to verify the suitability of the product under the actual working conditions.



ELESA Original design



HCZ-PT

| Code | Description | f | d | A | B | C | L | e | m | r | d'-0.2 | f'±0.2 | C# [Nm] | ⚖️ |
|-------|----------------|-----|-----|----|------|----|-----|-----|----|------|--------|--------|---------|-----|
| 11392 | HCZ.76-PT-M10 | 76 | M10 | 22 | 17.5 | 27 | 105 | 40 | 18 | 14.5 | 10.5 | 76 | 12 | 101 |
| 11395 | HCZ.127-PT-M12 | 127 | M12 | 22 | 17.5 | 27 | 156 | 80 | 23 | 14.5 | 12.5 | 127 | 12 | 138 |
| 11398 | HCZ.254-PT-M12 | 254 | M12 | 22 | 17.5 | 31 | 284 | 203 | 25 | 15.5 | 12.5 | 254 | 12 | 150 |

HCZ-PT-VT

| Code | Description | f | d | A | B | C | L | e | m | r | d'-0.2 | f'±0.2 | C# [Nm] | ⚖️ |
|--------|-------------------|-----|-----|------|------|----|-----|-----|----|------|--------|--------|---------|-----|
| 111392 | HCZ.76-PT-VT-M12 | 76 | M12 | 23.5 | 17.5 | 27 | 105 | 40 | 18 | 14.5 | 12.5 | 76 | 6 | 85 |
| 111395 | HCZ.127-PT-VT-M12 | 127 | M12 | 23.5 | 17.5 | 27 | 156 | 80 | 23 | 14.5 | 12.5 | 127 | 6 | 104 |
| 111398 | HCZ.254-PT-VT-M12 | 254 | M12 | 23.5 | 17.5 | 31 | 284 | 203 | 25 | 15.5 | 12.5 | 254 | 6 | 169 |

Maximum tightening torque.

