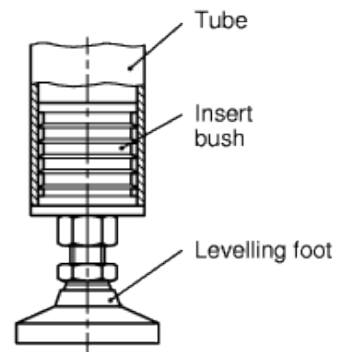
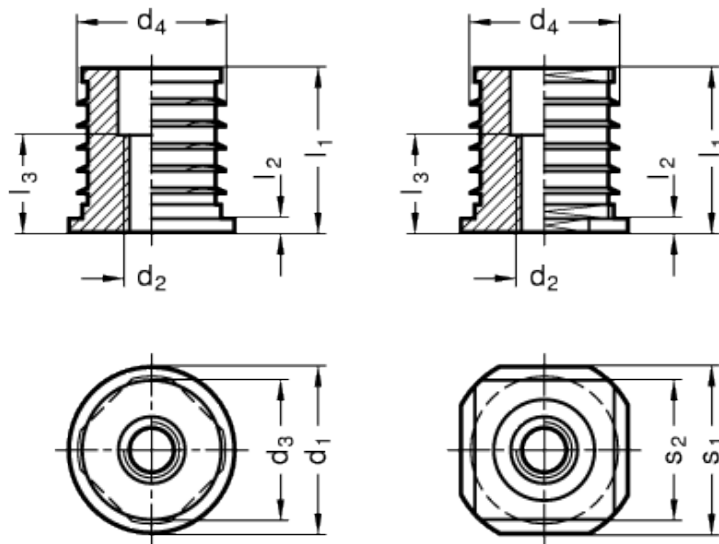


GN 992

Threaded hole end-caps for tubes



technical informations

Material

Aluminium, blank.

Features and applications

Threaded tube inserts GN 992 serve as end plugs in tubings which offer the additional facility for fitting threaded levelling elements.

Threaded tube inserts can bridge an internal diameter tolerance on both round as well as square tube of ± 0.5 mm. For this purpose lamellas are available. Threaded tube inserts are fitted with a mallet.

Accessories

Construction tubings GN 990.

Standard Elements	Main dimensions									Weight
	Description	d ₁	s ₁	d ₂	d ₃	d ₄	l ₁	l ₂	l _{3+0.5}	
GN 992-D20-M8	D 20	-	M 8	16	16.5	29.5	2.5	16	-	10
GN 992-D25-M8	D 25	-	M 8	21	21.5	33.5	2.5	16	-	22
GN 992-D25-M10	D 25	-	M 10	21	21.5	33.5	2.5	16	-	22
GN 992-D30-M8	D 30	-	M 8	26	26.5	33.5	2.5	18	-	34
GN 992-D30-M10	D 30	-	M 10	26	26.5	33.5	2.5	18	-	45
GN 992-D32-M8	D 32	-	M 8	28	28.5	33.5	2.5	18	-	50
GN 992-D32-M10	D 32	-	M 10	28	28.5	33.5	2.5	18	-	50
GN 992-D35-M10	D 35	-	M 10	31	31.5	37.5	2.5	24	-	55
GN 992-D35-M12	D 35	-	M 12	31	31.5	37.5	2.5	24	-	55
GN 992-D40-M10	D 40	-	M 10	34	34.5	41.5	2.5	24	-	78
GN 992-D40-M12	D 40	-	M 12	34	34.5	41.5	2.5	24	-	78
GN 992-D42-M10	D 42	-	M 10	36	36.5	41.5	2.5	24	-	90
GN 992-D42-M12	D 42	-	M 12	36	36.5	41.5	2.5	24	-	90
GN 992-D45-M12	D 45	-	M 12	39	39.5	45.5	2.5	30	-	110
GN 992-D45-M16	D 45	-	M 16	39	39.5	45.5	2.5	30	-	110
GN 992-D48-M12	D 48	-	M 12	42	42.5	45.5	2.5	30	-	130
GN 992-D48-M16	D 48	-	M 16	42	42.5	45.5	2.5	30	-	130
GN 992-D50-M12	D 50	-	M 12	44	44.5	45.5	2.5	30	-	145
GN 992-D50-M16	D 50	-	M 16	44	44.5	45.5	2.5	30	-	145
GN 992-V20-M8	-	V 20	M 8	-	16.5	29.5	2.5	16	16	11
GN 992-V25-M8	-	V 25	M 8	-	21.5	33.5	2.5	16	21	22
GN 992-V25-M10	-	V 25	M 10	-	21.5	33.5	2.5	16	21	22
GN 992-V30-M8	-	V 30	M 8	-	26.5	33.5	2.5	18	26	52
GN 992-V30-M10	-	V 30	M 10	-	26.5	33.5	2.5	18	26	52
GN 992-V35-M10	-	V 35	M 10	-	31.5	37.5	2.5	24	31	60
GN 992-V35-M12	-	V 35	M 12	-	31.5	37.5	2.5	24	31	60
GN 992-V40-M10	-	V 40	M 10	-	34.5	41.5	2.5	24	34	115
GN 992-V40-M12	-	V 40	M 12	-	34.5	41.5	2.5	24	34	88
GN 992-V45-M12	-	V 45	M 12	-	39.5	45.5	2.5	30	39	165
GN 992-V45-M16	-	V 45	M 16	-	39.5	45.5	2.5	30	39	165
GN 992-V50-M12	-	V 50	M 12	-	44.5	45.5	2.5	30	44	215
GN 992-V50-M16	-	V 50	M 16	-	44.5	45.5	2.5	30	44	215



STANDARD MACHINE ELEMENTS WORLDWIDE