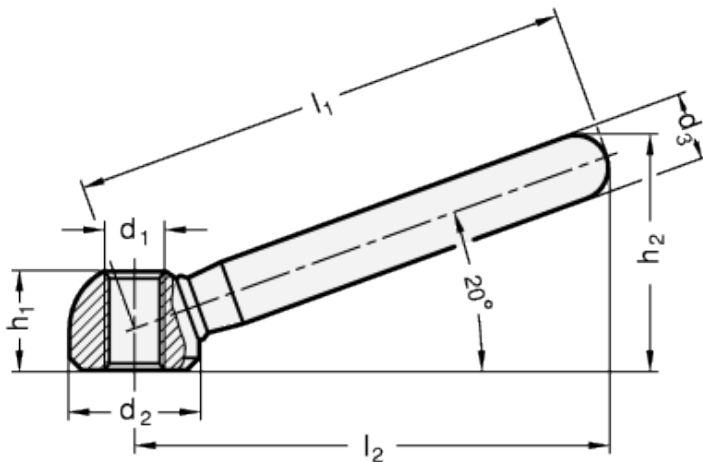


GN 99.5

Clamping levers



technical informations

Material

Zinc-plated steel, blue passivated.

Assembly

Tapped through hole.

Standard Elements	Main dimensions					Mounting hole		Weight
	Description	l_1	d_2	d_3	$h_{2 \approx}$	$l_{2 \approx}$	d_1	
GN 99.5-63-M8	63	16	10	30.5	60	M8	12.5	39
GN 99.5-80-M10	80	20	12	37	76	M10	15	74
GN 99.5-100-M12	100	25	14	46	95	M12	19	146
GN 99.5-125-M16	125	32	18	58.5	119	M16	25	309



ELESA and GANTER models all rights reserved in accordance with the law. Always mention the source when reproducing our drawings.

STANDARD MACHINE ELEMENTS WORLDWIDE