



GN 970

Installation brackets

equal / unequal sides



Specification

Version with equal sides

Types

- Type **A**: without bores
- Type **B**: with bores

Version with unequal sides

Types

- Type **A**: without bores
- Type **C**: with bores and slotted holes

Structural Steel **STB**

drawn, with sharp edges

blackened

Aluminium **ALM**

pressed

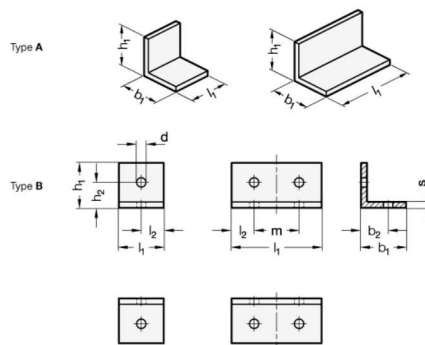
matt, ground

Information

GN 970 installation brackets are used universally for right-angle connecting and fastening of, e.g. base plates or covers.

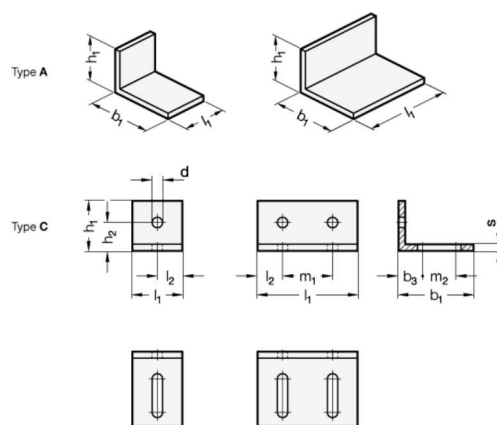
Type A allows for the use of drilling templates specific to the application as well as fastening by welding.

Type C installation brackets have one or two combinations of a hole and an elongated hole depending on the length l_1 .



GN 970

Description	h ₁	b ₁	l ₁	b ₂	d	h ₂	l ₂	m	s	Weight
GN 970-STB-30-30-30-A	30	30	30	18	6.2	18	15	-	4	53
GN 970-ALM-30-30-30-A	30	30	30	18	6.2	18	15	-	4	17
GN 970-STB-30-30-60-A	30	30	60	18	6.2	18	15	-	4	63
GN 970-ALM-30-30-60-A	30	30	60	18	6.2	18	15	-	4	27
GN 970-STB-40-40-40-A	40	40	40	24	8.2	24	20	-	5	91
GN 970-ALM-40-40-40-A	40	40	40	24	8.2	24	20	-	5	55
GN 970-STB-40-40-80-A	40	40	80	24	8.2	24	20	-	5	111
GN 970-ALM-40-40-80-A	40	40	80	24	8.2	24	20	-	5	75
GN 970-ALM-50-50-50-A	50	50	50	30	10.2	30	25	-	6	75
GN 970-ALM-50-50-100-A	50	50	100	30	10.2	30	25	-	6	85
GN 970-STB-30-30-30-B	30	30	30	18	6.2	18	15	-	4	53
GN 970-ALM-30-30-30-B	30	30	30	18	6.2	18	15	-	4	17
GN 970-STB-30-30-60-B	30	30	60	18	6.2	18	15	30	4	70
GN 970-ALM-30-30-60-B	30	30	60	18	6.2	18	15	30	4	34
GN 970-STB-40-40-40-B	40	40	40	24	8.2	24	20	-	5	81
GN 970-ALM-40-40-40-B	40	40	40	24	8.2	24	20	-	5	45
GN 970-STB-40-40-80-B	40	40	80	24	8.2	24	20	40	5	96
GN 970-ALM-40-40-80-B	40	40	80	24	8.2	24	20	40	5	60
GN 970-ALM-50-50-50-B	50	50	50	30	10.2	30	25	-	6	121
GN 970-ALM-50-50-100-B	50	50	100	30	10.2	30	25	50	6	85



GN 970

Description	h ₁	b ₁	l ₁	b ₃	d	h ₂	l ₂	m ₁	m ₂	s	Weight
GN 970-STB-30-45-30-A	30	45	30	-	6.2	18	15	-	-	4	58
GN 970-ALM-30-45-30-A	30	45	30	-	6.2	18	15	-	-	4	22
GN 970-STB-30-45-60-A	30	45	60	-	6.2	18	15	-	-	4	101
GN 970-ALM-30-45-60-A	30	45	60	-	6.2	18	15	-	-	4	35
GN 970-STB-40-60-40-A	40	60	40	-	8.2	24	20	-	-	5	125
GN 970-ALM-40-60-40-A	40	60	40	-	8.2	24	20	-	-	5	89
GN 970-STB-40-60-80-A	40	60	80	-	8.2	24	20	-	-	5	136
GN 970-ALM-40-60-80-A	40	60	80	-	8.2	24	20	-	-	5	100
GN 970-ALM-50-75-50-A	50	75	50	-	10.2	30	25	-	-	6	94
GN 970-ALM-50-75-100-A	50	75	100	-	10.2	30	25	-	-	6	187
GN 970-STB-30-45-30-C	30	45	30	18	6.2	18	15	-	20	4	56
GN 970-ALM-30-45-30-C	30	45	30	18	6.2	18	15	-	20	4	20
GN 970-STB-30-45-60-C	30	45	60	18	6.2	18	15	30	20	4	66
GN 970-ALM-30-45-60-C	30	45	60	18	6.2	18	15	30	20	4	30
GN 970-STB-40-60-40-C	40	60	40	24	8.2	24	20	-	30	5	81
GN 970-ALM-40-60-40-C	40	60	40	24	8.2	24	20	-	30	5	45
GN 970-STB-40-60-80-C	40	60	80	24	8.2	24	20	40	30	5	93
GN 970-ALM-40-60-80-C	40	60	80	24	8.2	24	20	40	30	5	57
GN 970-ALM-50-75-50-C	50	75	50	30	10.2	30	25	-	30	6	86
GN 970-ALM-50-75-100-C	50	75	100	30	10.2	30	25	50	30	6	100