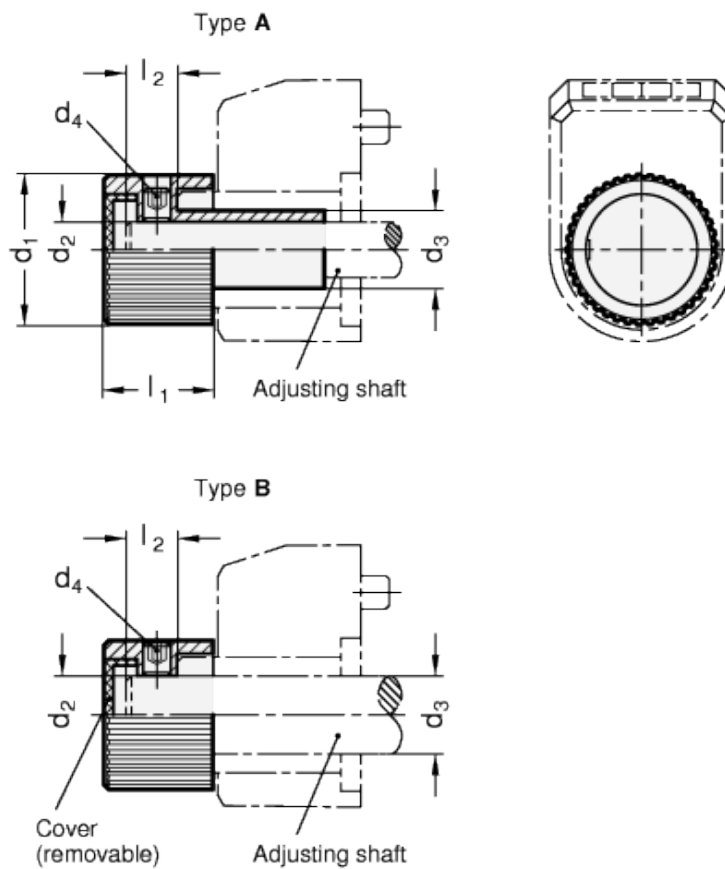


GN 957

Control knobs



technical informations
Material
Aluminium, black, anodized.

Socket set screw DIN 916

Stainless Steel with internal hexagon and serrated point.

Hub cover cap

Plastic, light Grey.

Standard versions available

- Version A: Shaft-Ø d2 < Bore-Ø d3.
- Version B: Shaft-Ød2 = Bore-Ø3.

Features and applications

Control knobs GN 957 are used in connection with position indicators. These control knobs offer a simple solution when the assembly requires manual fine adjustment for the application for which it has been designed. The design of this knob adapts it to the diameter of the adjustment shaft, so that no adapter bushes GN 952.1 are needed.

Standard Artikel	Hauptabmessungen							Stellungsanzeiger	Gewicht
Description	d ₁	d _{2 H8}	d ₃	d ₄	l ₁	l _{2 min.}	l _{2 max.}		g
GN 957-22-B6-A	22	B 6	10	M 4	15.5	4.5	9.6	DD50	-
GN 957-22-B8-A	22	B 8	10	M 4	15.5	4.5	9.6	DD50	-
GN 957-27-B6-A	27	B 6	14	M 5	19.5	6	11.3	DD51	-
GN 957-27-B8-A	27	B 8	14	M 5	19.5	6	11.3	DD51	-
GN 957-27-B10-A	27	B 10	14	M 5	19.5	6	11.3	DD51	-
GN 957-27-B12-A	27	B 12	14	M 5	19.5	6	11.3	DD51	-
GN 957-42-B10-A	42	B 10	20	M 6	24	6.5	15	DD52R	-
GN 957-42-B12-A	42	B 12	20	M 6	24	6.5	15	DD52R	-
GN 957-42-B14-A	42	B 14	20	M 6	24	6.5	15	DD52R	-
GN 957-42-B15-A	42	B 15	20	M 6	24	6.5	15	DD52R	-
GN 957-42-B16-A	42	B 16	20	M 6	24	6.5	15	DD52R	-
GN 957-22-B10-B	22	B 10	10	M 4	15.5	4.5	9.6	DD50	-
GN 957-27-B14-B	27	B 14	14	M 5	19.5	6	11.3	DD51	-
GN 957-42-B20-B	42	B 20	20	M 6	24	6.5	15	DD52R	-



STANDARD MACHINE ELEMENTS WORLDWIDE