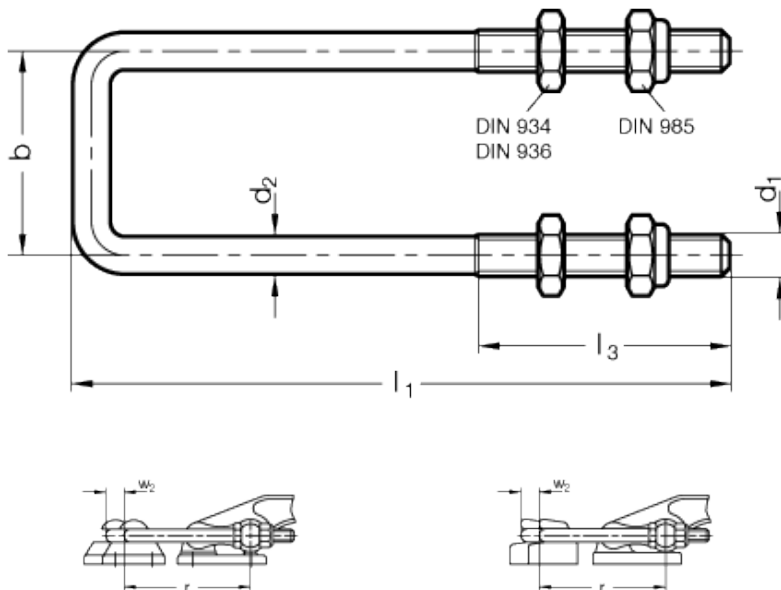


GN 951.2-NI

Pulling latch



technical informations

Specification

Stainless Steel AISI 304 NI

Hex jam nuts (with Polyamide insert)

Stainless Steel

Standard Elements

Main dimensions

GN 852

GN 852.3

GN 852.1

Weight

Description	d ₁	b	l ₁	d ₂	l ₃	Size	r for w ₂ =0	w ₂	r for w ₂ =0	w ₂	Size	r for w ₂ =0	w ₂	g
GN 951.2-M10-46-129-NI	M10	46	129*	9	45	1400	96	15	96	15	1400	95	15	130
GN 951.2-M10-46-149-NI	M10	46	149**	9	52	1400	106	22	106	22	1400	108	22	-
GN 951.2-M10-46-179-NI	M10	46	179	9	45	1400	146	15	146	15	1400	145	15	170
GN 951.2-M10-46-209-NI	M10	46	209	9	45	1400	176	15	176	15	1400	175	15	240
GN 951.2-M10-46-259-NI	M10	46	259	9	45	1400	226	15	226	15	1400	225	15	300
GN 951.2-M12-55-151-NI	M12	55	151*	10.8	70	2800	117	15	107	15	-	-	-	235
GN 951.2-M12-55-211-NI	M12	55	211	10.8	70	2800	156	36	156	36	-	-	-	390
GN 951.2-M12-55-361-NI	M12	55	361	10.8	70	2800	306	36	306	36	-	-	-	503
GN 951.2-M12-55-421-NI	M12	55	421	10.8	70	2800	366	36	366	36	-	-	-	680

* These pulling latch lengths are included in the delivery of standard designs of GN 852/GN 852.3. ** These pulling latch length are included in the delivery of Standard designs of GN 852.1.



STANDARD MACHINE ELEMENTS WORLDWIDE