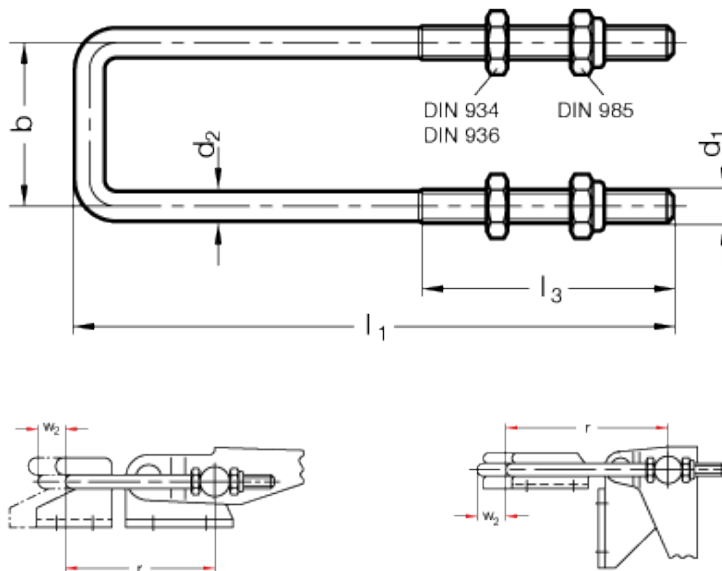


GN 951.1-NI

Square U-Bolts



technical informations

Specification

Stainless Steel AISI 304 NI

Hex jam nuts (with Polyamide insert)

M4: DIN 934 / DIN 985

M6/M8: DIN 936 / DIN 985

Stainless Steel

On request

Stainless Steel A4

AISI 316

Description	d ₁	b	l ₁	d ₂	l ₃	Size	r for w ₂ =0	w ₂	r for w ₂ =0	w ₂	Size	r for w ₂ =0	w ₂	g
GN 951.1-M4-21-56-NI	M4	21	56*	3.4	27.5	160	37	11	11	-	-	-	-	12
GN 951.1-M4-21-70-NI	M4	21	70**	3.4	28.5	160	48	12	48	12	160	50	12	18
GN 951.1-M4-21-103-NI	M4	21	103	3.4	30	160	80	14	80	14	160	82	14	20
GN 951.1-M4-21-153-NI	M4	21	153	3.4	35	160	125	19	125	19	160	127	19	29
GN 951.1-M4-21-203-NI	M4	21	203	3.4	35	160	175	19	175	19	160	177	19	32
GN 951.1-M6-32-78-NI	M6	32	78*	5.2	33	320	57	10	54	13	-	-	-	38
GN 951.1-M6-32-110-NI	M6	32	110**	5.2	44	320	75	24	75	24	320	78	21	48
GN 951.1-M6-32-130-NI	M6	32	130	5.2	45	320	94	25	59	-	320	94	25	60
GN 951.1-M6-32-155-NI	M6	32	155	5.2	45	320	119	25	119	25	320	119	25	80
GN 951.1-M6-32-205-NI	M6	32	205	5.2	45	320	169	25	169	25	320	169	25	89
GN 951.1-M8-38-111-NI	M8	38	111*	7.2	52	700	74	22	70	26	-	-	-	92
GN 951.1-M8-38-127-NI	M8	38	127	7.2	60	700	78	34	78	34	-	-	-	100
GN 951.1-M8-38-143-NI	M8	38	143**	7.2	56	700	98	30	98	30	700	98	30	110
GN 951.1-M8-38-157-NI	M8	38	157	7.2	60	700	108	34	108	34	700	108	34	122
GN 951.1-M8-38-207-NI	M8	38	207	7.2	60	700	158	34	158/	34	700	158	34	139

* These pulling latch lengths are included in the delivery of standard designs of GN 851/GN 851.3.

** These pulling latch lengths are included in the delivery of standard designs of GN 851.1/GN 851.2.



STANDARD MACHINE ELEMENTS WORLDWIDE