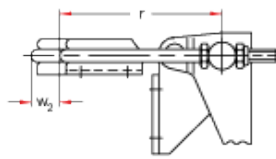
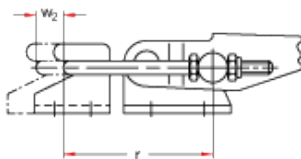
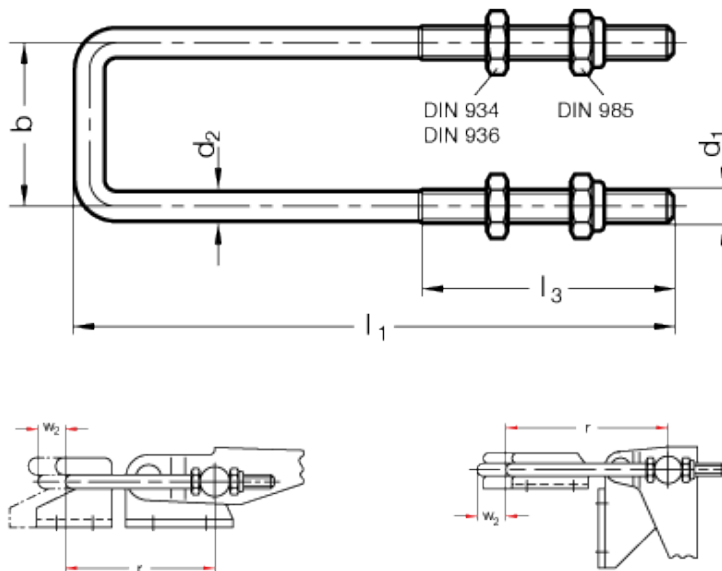


GN 951.1

Square U-Bolts



technical informations

Specification

Steel ST
zinc plated, blue passivated

Hex jam nuts (with Polyamide insert)
M4 : DIN 934 / DIN 985
M 6/M 8: DIN 936 / DIN 985
Steel, zinc plated

Standard Elements

Main dimensions

GN 851

GN 851.3

GN 851.1/GN 851.2

Weight

Description	d ₁	b	l ₁	d ₂	l ₃	Size	r for w ₂₌₀	w ₂	r for w ₂₌₀	w ₂	Size	r for w ₂₌₀	w ₂	g
GN 951.1-M4-21-56-ST	M4	21	56*	3.4	27.5	160	35	11	-	-	-	-	-	-
GN 951.1-M4-21-70-ST	M4	21	70**	3.4	28.5	160	48	12	48	12	160	50	12	15
GN 951.1-M4-21-103-ST	M4	21	103	3.4	30	160	80	14	80	14	160	82	14	17
GN 951.1-M4-21-153-ST	M4	21	153	3.4	35	160	125	19	125	19	160	127	19	19
GN 951.1-M4-21-203-ST	M4	21	203	3.4	35	160	175	19	175	19	160	177	19	24
GN 951.1-M6-32-78-ST	M6	32	78*	5.2	33	320	54	13	-	19	-	-	-	35
GN 951.1-M6-32-110-ST	M6	32	110**	5.2	44	320	75	24	75	24	320	78	21	45
GN 951.1-M6-32-130-ST	M6	32	130	5.2	45	320	94	25	94	25	30	94	25	49
GN 951.1-M6-32-155-ST	M6	32	155	5.2	45	320	119	25	119	25	320	119	25	54
GN 951.1-M6-32-205-ST	M6	32	205	5.2	45	320	169	25	169	25	320	169	25	59
GN 951.1-M8-38-111-ST	M8	38	111*	7.2	52	700	74	22	70	26	-	-	-	85
GN 951.1-M8-38-127-ST	M8	38	127	7.2	60	700	78	34	78	34	-	-	-	92
GN 951.1-M8-38-143-ST	M8	38	143**	7.2	56	700	98	30	98	30	700	98	30	100
GN 951.1-M8-38-157-ST	M8	38	157	7.2	60	700	108	34	108	34	700	108	34	107
GN 951.1-M8-38-207-ST	M8	38	207	7.2	60	700	158	34	158	34	700	158	34	113

* These pulling latch lengths are included in the delivery of standard designs of GN 851/GN 851.3.

** These pulling latch lengths are included in the delivery of standard designs of GN 851.1/GN 851.2.



STANDARD MACHINE ELEMENTS WORLDWIDE