

Panel Support Clamps

Zinc Die Casting, for Glass and Plastic Panels

SPECIFICATION

Types

- Type **E**: Corner clamp
- Type **EB**: Corner clamp with securing pin
- Type **F**: Surface clamp
- Type **FA**: Surface clamp with stop plate
- Type **FB**: Surface clamp with securing pin

Zinc die casting **ZD**

Powder coated

- Black, RAL 9005, textured finish **SW**
- Silver, RAL 9006, textured finish **SR**

Clamping screws

Stainless steel AISI 304

Rubber inserts

Acrylonitrile butadiene rubber (NBR)

Stop plate (type FA)

Stainless steel AISI 316L

Securing pins (type EB and FB)

- Stainless steel AISI 304
- Plastic coated polyamide (PA)



INFORMATION

Clamps GN 939 are used to fasten panels of glass, plastic or other materials. Both corner and surface clamps are available, depending on the installation situation.

The panels are clamped between the rubber inserts. In addition, positive locking by means of a securing pin or stop plate can be selected as a type.

If the clamps are used with profile systems with 8 or 10 mm slots, the T-nuts GN 938.1 (see page) are available as mounting accessories. These enable simple alignment, secure the clamps against rotation and counteract possible stresses.

ON REQUEST

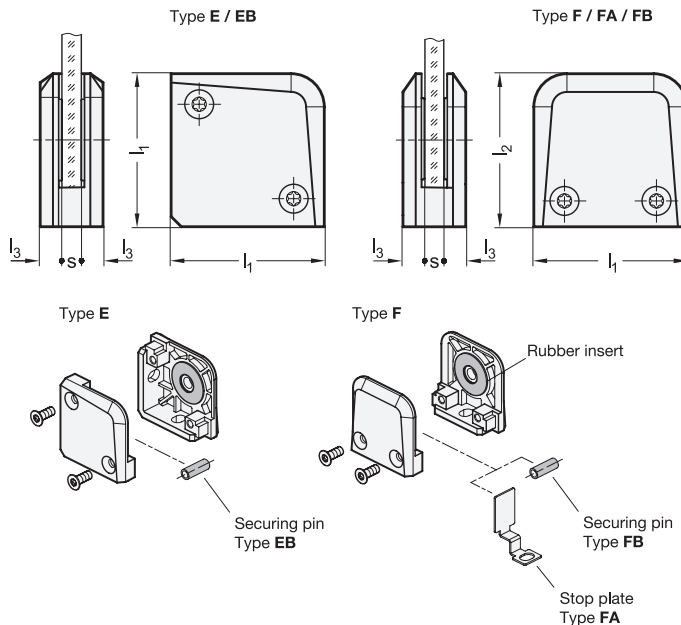
- Other colors

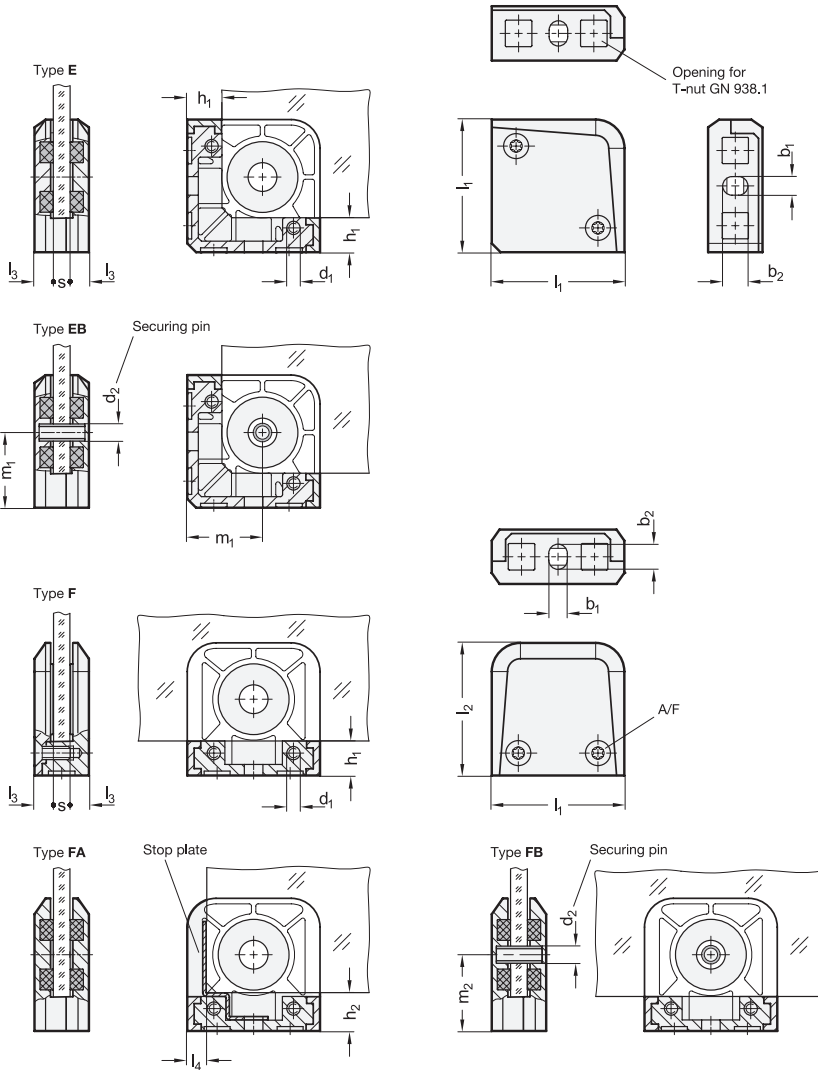
ACCESSORY

- T-Nuts GN 938.1-ZD-8 (see page)

TECHNICAL INFORMATION

- Plastic Characteristics (see page A2)





* Complete with color index of the Panel Support Clamps (SW or SR)

SW	SR
RAL9005	RAL9006

GN 939-E

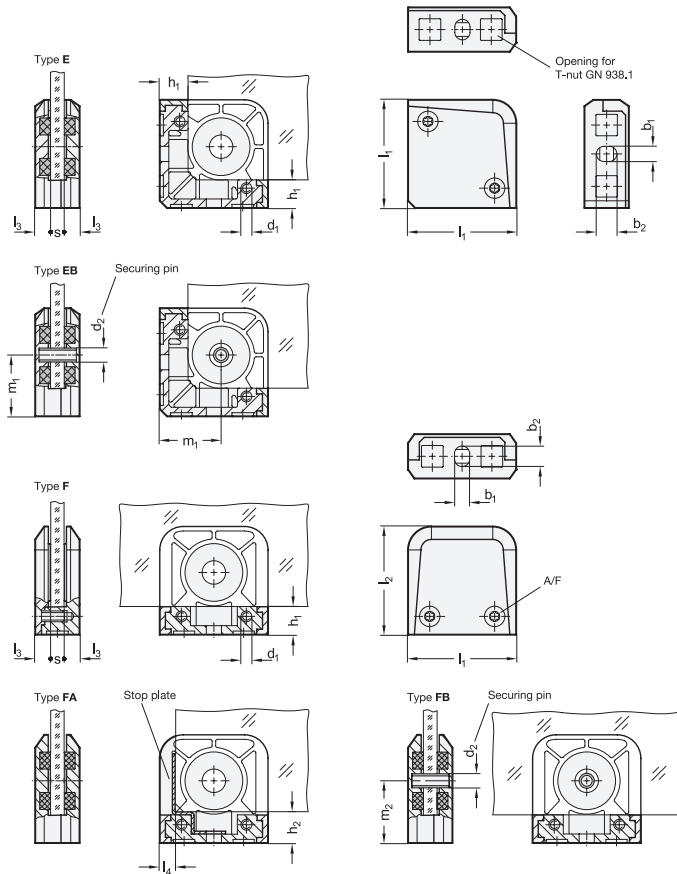
Description	l ₁	s	l ₃	b ₁	b ₂	d ₁ Clamping screw	h ₁	A/F Torx	⚖
GN 939-ZD-60-5-E-*	60	5	8.3	8.5	11.4	M 6	15.5	T30	260
GN 939-ZD-60-6-E-*	60	6	8.3	8.5	11.4	M 6	15.5	T30	261
GN 939-ZD-60-8-E-*	60	8	8.3	8.5	11.4	M 6	15.5	T30	273
GN 939-ZD-60-10-E-*	60	10	8.3	8.5	11.4	M 6	15.5	T30	285
GN 939-ZD-60-12-E-*	60	12	8.3	8.5	11.4	M 6	15.5	T30	297

GN 939-EB

Description	l ₁	s	l ₃	b ₁	b ₂	d ₁ Clamping screw	d ₂	h ₁	m ₁	A/F Torx	⚖
GN 939-ZD-60-5-EB-*	60	5	8.3	8.5	11.4	M 6	8.4	15.5	34	T30	260
GN 939-ZD-60-6-EB-*	60	6	8.3	8.5	11.4	M 6	8.4	15.5	34	T30	266
GN 939-ZD-60-8-EB-*	60	8	8.3	8.5	11.4	M 6	8.4	15.5	34	T30	278
GN 939-ZD-60-10-EB-*	60	10	8.3	8.5	11.4	M 6	8.4	15.5	34	T30	291
GN 939-ZD-60-12-EB-*	60	12	8.3	8.5	11.4	M 6	8.4	15.5	34	T30	303

Weight SW





* Complete with color index of the Panel Support Clamps (SW or SR)

SW **SR**
RAL9005 RAL9006

GN 939-F

Description	l1	s	l2	l3	b1	b2	d1 Clamping screw	h1	A/F Torx	⚖
GN 939-ZD-60-5-F-*	60	5	60	8.3	8.5	11.4	M 6	15.5	T30	244
GN 939-ZD-60-6-F-*	60	6	60	8.3	8.5	11.4	M 6	15.5	T30	248
GN 939-ZD-60-8-F-*	60	8	60	8.3	8.5	11.4	M 6	15.5	T30	256
GN 939-ZD-60-10-F-*	60	10	60	8.3	8.5	11.4	M 6	15.5	T30	265
GN 939-ZD-60-12-F-*	60	12	60	8.3	8.5	11.4	M 6	15.5	T30	273

GN 939-FA

Description	l1	s	l2	l3	b1	b2	d1 Clamping screw	h2	l4	A/F Torx	⚖
GN 939-ZD-60-5-FA-*	60	5	60	8.3	8.5	11.4	M 6	16.7	8.2	T30	252
GN 939-ZD-60-6-FA-*	60	6	60	8.3	8.5	11.4	M 6	16.7	8.2	T30	256
GN 939-ZD-60-8-FA-*	60	8	60	8.3	8.5	11.4	M 6	16.7	8.2	T30	265
GN 939-ZD-60-10-FA-*	60	10	60	8.3	8.5	11.4	M 6	16.7	8.2	T30	275
GN 939-ZD-60-12-FA-*	60	12	60	8.3	8.5	11.4	M 6	16.7	8.2	T30	285

GN 939-FB

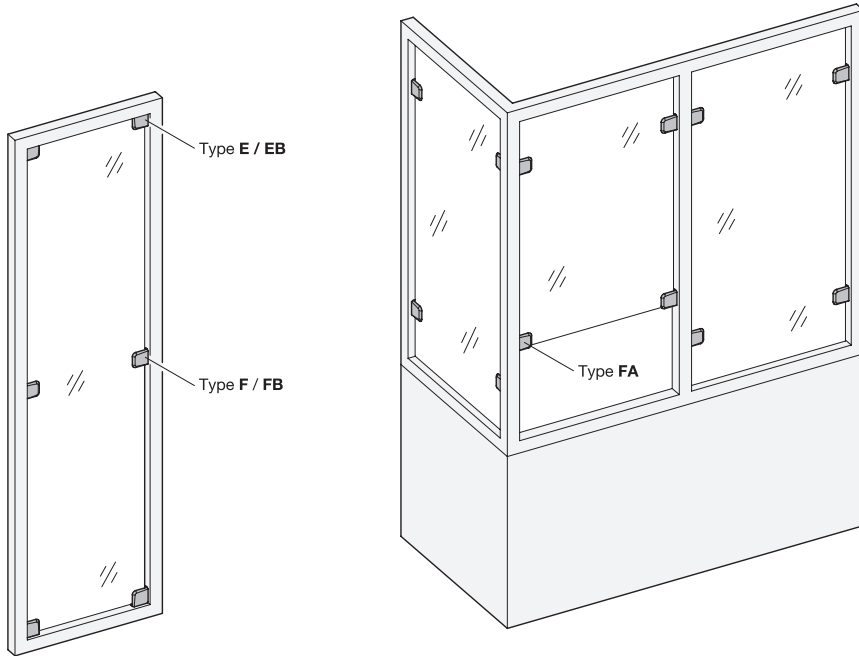
Description	l1	s	l2	l3	b1	b2	d1 Clamping screw	d2	h1	m2	A/F Torx	⚖
GN 939-ZD-60-5-FB-*	60	5	60	8.3	8.5	11.4	M 6	8.4	15.5	34.5	T30	248
GN 939-ZD-60-6-FB-*	60	6	60	8.3	8.5	11.4	M 6	8.4	15.5	34.5	T30	252
GN 939-ZD-60-8-FB-*	60	8	60	8.3	8.5	11.4	M 6	8.4	15.5	34.5	T30	261
GN 939-ZD-60-10-FB-*	60	10	60	8.3	8.5	11.4	M 6	8.4	15.5	34.5	T30	270
GN 939-ZD-60-12-FB-*	60	12	60	8.3	8.5	11.4	M 6	8.4	15.5	34.5	T30	265

Weight SW

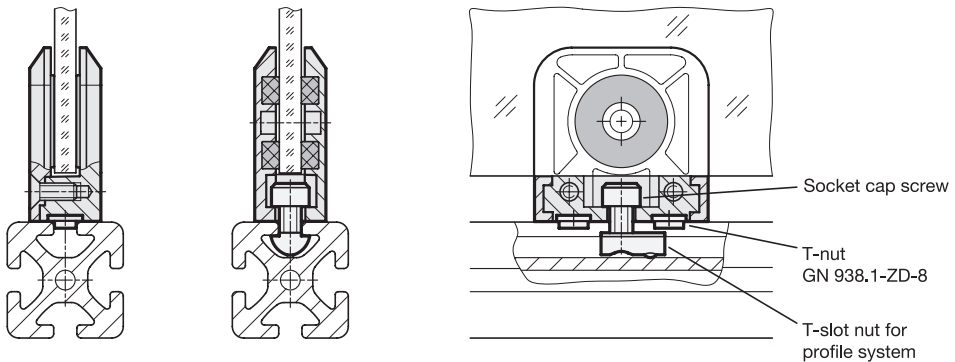


Tube Clamp Connectors 16

Application examples



Assembly instruction



Tube Clamp Connectors 16