

Stainless Steel-Clamping levers with eccentric cam

Single parts Stainless Steel / Contact plate Plastic / Lever Stainless Steel

SPECIFICATION

Types

- Type A: Plastic contact plate with setting nut
- Type B: Plastic contact plate without setting nut

Lever

Stainless Steel AISI CF-8
(precision casting)

Contact plates

Plastic, glass fibre reinforced

- Type A: Polyacetil (POM)
- Type B: Polyamide (PA)

Version with threaded insert

Axis, lag nut, setting nut
Stainless Steel AISI 303

Version with threaded stud

Axis, lag screw, setting screw
Stainless Steel AISI 303

INFORMATION

Clamping levers with eccentric cam GN 927.5 with stainless steel internal thread are used for rapid clamping and releasing. Hereby, contrary to a clamping operation via a thread, these levers permit a **torque-free** clamping.

The lever has been designed to ensure that its movement cannot exceed the max. clamping force.

There are no loose components since they are all assembled and mounted in their correct order.

Type A has the following benefits:

The distance between the lever cam and the clamping surface is adjustable via a fine pitch thread, allowing the clamping position to be set easily with maximum clamping force. Also, the position of the lever relative to the clamping axis can be determined.

With these clamping levers with eccentric cam, clamping forces of up to 8 kN can be reached.

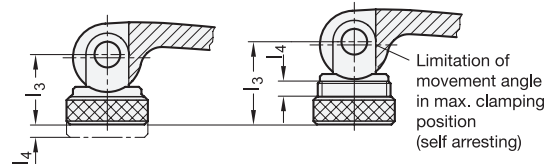
TECHNICAL INFORMATION

- Stainless Steel characteristics (see page A26)

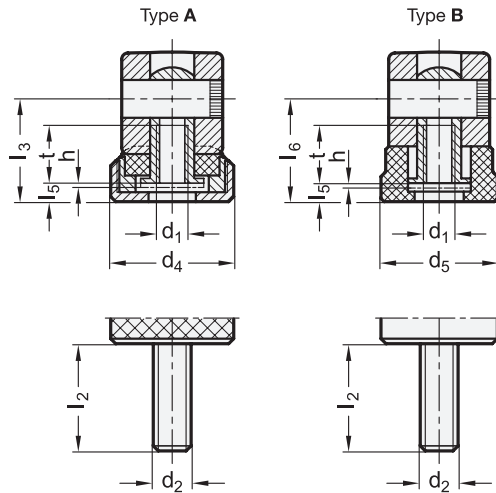
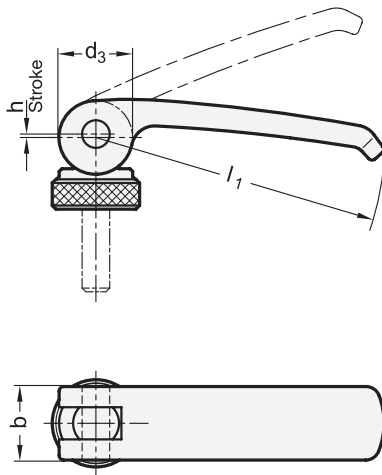


CONSTRUCTIONAL FEATURES (TYPE A) / APPLICATION EXAMPLE

l_3 adjustable by the setting screw for optimum clamping force at the preferred lever position.



l_3 max. must not be exceeded. Otherwise there is the risk that the positioning thread can no longer absorb the clamping force or may be damaged.



* Complete with type of the Clamping lever (A or B)

A with setting nut **B** without setting nut

GN 927.5

STAINLESS STEEL

Description	l1	d1	b	d3	d4	h	l3	l4	l5	t	△
GN 927.5-44-M4-*	44	M 4	12	12	15	0.5	13.2	2	2.2	8	28
GN 927.5-44-M5-*	44	M 5	12	12	15	0.5	13.2	2	2.2	8	27
GN 927.5-63-M5-*	63	M 5	16	16	19	0.75	16.3	2.5	3	10	60
GN 927.5-63-M6-*	63	M 6	16	16	19	0.75	16.3	2.5	3	10	59
GN 927.5-82-M6-*	82	M 6	20	20	25	1	19.5	3	3.7	12	126
GN 927.5-82-M8-*	82	M 8	20	20	25	1	19.5	3	3.7	12	124
GN 927.5-101-M8-*	101	M 8	25	26	30	1.5	25.3	4	4.8	15	239
GN 927.5-101-M10-*	101	M 10	25	26	30	1.5	25.3	4	4.8	15	238

Weight type A



*Complete with type of the Clamping lever (A or B)

- A**
with setting nut
- B**
without setting nut

GN-927.5

STAINLESS STEEL

Description	l1	d2	l2	b	d3	d4	h	l3	l4	l5	⚖
GN 927.5-44-M4-12-*	44	M 4	12	12	12	15	0.5	13.2	2	2.2	30
GN 927.5-44-M4-16-*	44	M 4	16	12	12	15	0.5	13.2	2	2.2	32
GN 927.5-44-M4-20-*	44	M 4	20	12	12	15	0.5	13.2	2	2.2	34
GN 927.5-44-M4-25-*	44	M 4	25	12	12	15	0.5	13.2	2	2.2	36
GN 927.5-44-M4-30-*	44	M 4	30	12	12	15	0.5	13.2	2	2.2	38
GN 927.5-44-M5-12-*	44	M 5	12	12	12	15	0.5	13.2	2	2.2	40
GN 927.5-44-M5-16-*	44	M 5	16	12	12	15	0.5	13.2	2	2.2	42
GN 927.5-44-M5-20-*	44	M 5	20	12	12	15	0.5	13.2	2	2.2	44
GN 927.5-44-M5-25-*	44	M 5	25	12	12	15	0.5	13.2	2	2.2	46
GN 927.5-44-M5-30-*	44	M 5	30	12	12	15	0.5	13.2	2	2.2	48
GN 927.5-44-M5-35-*	44	M 5	35	12	12	15	0.5	13.2	2	2.2	50
GN 927.5-44-M5-40-*	44	M 5	40	12	12	15	0.5	13.2	2	2.2	52
GN 927.5-63-M5-16-*	63	M 5	16	16	16	19	0.75	16.3	2.5	3	66
GN 927.5-63-M5-20-*	63	M 5	20	16	16	19	0.75	16.3	2.5	3	68
GN 927.5-63-M5-25-*	63	M 5	25	16	16	19	0.75	16.3	2.5	3	70
GN 927.5-63-M5-30-*	63	M 5	30	16	16	19	0.75	16.3	2.5	3	72
GN 927.5-63-M5-35-*	63	M 5	35	16	16	19	0.75	16.3	2.5	3	74
GN 927.5-63-M5-40-*	63	M 5	40	16	16	19	0.75	16.3	2.5	3	76
GN 927.5-63-M5-50-*	63	M 5	50	16	16	19	0.75	16.3	2.5	3	78
GN 927.5-63-M6-16-*	63	M 6	16	16	16	19	0.75	16.3	2.5	3	80
GN 927.5-63-M6-20-*	63	M 6	20	16	16	19	0.75	16.3	2.5	3	82
GN 927.5-63-M6-25-*	63	M 6	25	16	16	19	0.75	16.3	2.5	3	84
GN 927.5-63-M6-30-*	63	M 6	30	16	16	19	0.75	16.3	2.5	3	86
GN 927.5-63-M6-35-*	63	M 6	35	16	16	19	0.75	16.3	2.5	3	88
GN 927.5-63-M6-40-*	63	M 6	40	16	16	19	0.75	16.3	2.5	3	90
GN 927.5-63-M6-50-*	63	M 6	50	16	16	19	0.75	16.3	2.5	3	92
GN 927.5-82-M6-20-*	82	M 6	20	20	20	25	1	19.5	3	3.7	132
GN 927.5-82-M6-25-*	82	M 6	25	20	20	25	1	19.5	3	3.7	134
GN 927.5-82-M6-30-*	82	M 6	30	20	20	25	1	19.5	3	3.7	136
GN 927.5-82-M6-35-*	82	M 6	35	20	20	25	1	19.5	3	3.7	138
GN 927.5-82-M6-40-*	82	M 6	40	20	20	25	1	19.5	3	3.7	140
GN 927.5-82-M6-50-*	82	M 6	50	20	20	25	1	19.5	3	3.7	142
GN 927.5-82-M6-60-*	82	M 6	60	20	20	25	1	19.5	3	3.7	144
GN 927.5-82-M8-20-*	82	M 8	20	20	20	25	1	19.5	3	3.7	146
GN 927.5-82-M8-25-*	82	M 8	25	20	20	25	1	19.5	3	3.7	148
GN 927.5-82-M8-30-*	82	M 8	30	20	20	25	1	19.5	3	3.7	150
GN 927.5-82-M8-35-*	82	M 8	35	20	20	25	1	19.5	3	3.7	152
GN 927.5-82-M8-40-*	82	M 8	40	20	20	25	1	19.5	3	3.7	154
GN 927.5-82-M8-50-*	82	M 8	50	20	20	25	1	19.5	3	3.7	156
GN 927.5-82-M8-60-*	82	M 8	60	20	20	25	1	19.5	3	3.7	158
GN 927.5-101-M8-20-*	101	M 8	20	25	26	30	1.5	25.3	4	4.8	200
GN 927.5-101-M8-25-*	101	M 8	25	25	26	30	1.5	25.3	4	4.8	202
GN 927.5-101-M8-30-*	101	M 8	30	25	26	30	1.5	25.3	4	4.8	204
GN 927.5-101-M8-35-*	101	M 8	35	25	26	30	1.5	25.3	4	4.8	206
GN 927.5-101-M8-40-*	101	M 8	40	25	26	30	1.5	25.3	4	4.8	208
GN 927.5-101-M8-50-*	101	M 8	50	25	26	30	1.5	25.3	4	4.8	210
GN 927.5-101-M8-60-*	101	M 8	60	25	26	30	1.5	25.3	4	4.8	212
GN 927.5-101-M10-20-*	101	M 10	20	25	26	30	1.5	25.3	4	4.8	214
GN 927.5-101-M10-25-*	101	M 10	25	25	26	30	1.5	25.3	4	4.8	216
GN 927.5-101-M10-30-*	101	M 10	30	25	26	30	1.5	25.3	4	4.8	218
GN 927.5-101-M10-35-*	101	M 10	35	25	26	30	1.5	25.3	4	4.8	220
GN 927.5-101-M10-40-*	101	M 10	40	25	26	30	1.5	25.3	4	4.8	222
GN 927.5-101-M10-50-*	101	M 10	50	25	26	30	1.5	25.3	4	4.8	224
GN 927.5-101-M10-60-*	101	M 10	60	25	26	30	1.5	25.3	4	4.8	226

Weight type A

Clamping levers