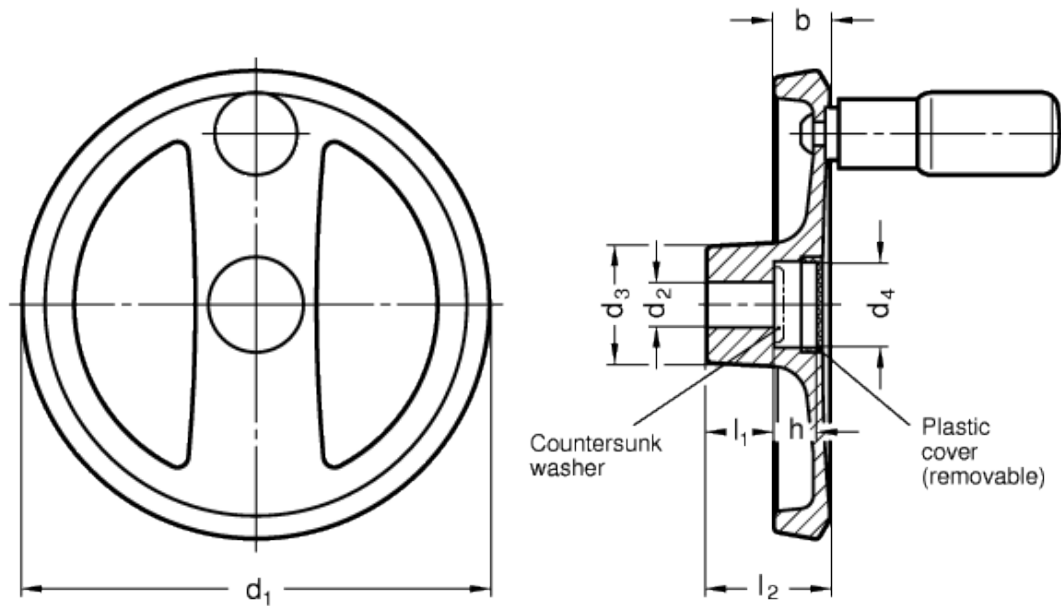


GN 924-R

Spoked handwheels



technical informations

Material

Aluminium pressure die casting, hub machined, rim turned.

Colour

- Version SW: plastic coated, black RAL 9005, textured finish.
- Version SR: plastic coated, silver RAL 9006, textured finish.

Assembly

- Version B: hub with H7 tolerance plain hole.

- Version K: hub with H7 reamed hole with keyway in compliance with [DIN 6885/1 P9 tolerance](#).
For fixing GN 924 on shafts by a grub screw see [Technical Data](#).

Plastic cover

Polyamide based (PA) technopolymer, light-grey colour, push-fit assembly

Revolving handle

Type GN 798 in polyamide based (PA) technopolymer, black colour, matte finish. Resistant to solvents, oils, greases and other chemical agents. The two-volume special design of the handle provides the operator's hand with a safe and ergonomic grip when turning the handwheel.

Features and applications

Spoked handwheels GN 924 are distinguished by modern design.
The removable plastic cover shrouds the fixing components such as screws, countersunk washers as well as the shaft end.

Accessories on request

Axial retaining washer [GN 184](#).

Technical data

Axial and radial runout lower than 0.4.

Standard Elements	Main dimensions						Bore		Handle	Recommended washer	Weight
Description	d ₁	l ₂	b	h	d ₃	d ₄	d _{2H7}	l ₁	∅		g
GN 924-125-B12-R-SW	125	12	31	23	15	11	18	33.5	22	GN 184-20	253
GN 924-125-B12-R-SR	125	12	31	23	15	11	18	33.5	22	GN 184-20	350
GN 924-125-K12-R-SW	125	12	31	23	15	11	18	33.5	22	GN 184-20	253
GN 924-125-K12-R-SR	125	12	31	23	15	11	18	33.5	22	GN 184-22	350
GN 924-125-B14-R-SW	125	14	31	23	15	11	18	33.5	22	GN 184-20	251
GN 924-125-B14-R-SR	125	14	31	23	15	11	18	33.5	22	GN 184-20	380
GN 924-125-K14-R-SW	125	14	31	23	15	11	18	33.5	22	GN 184-20	251
GN 924-125-K14-R-SR	125	14	31	23	15	11	18	33.5	22	GN 184-20	380
GN 924-140-B14-R-SW	140	14	36	28.5	16.5	13	19	36.5	24	GN 184-25	337
GN 924-140-B14-R-SR	140	14	36	28.5	16.5	13	19	36.5	24	GN 184-25	450
GN 924-140-K14-R-SW	140	14	36	28.5	16.5	13	19	36.5	24	GN 184-25	337
GN 924-140-K14-R-SR	140	14	36	28.5	16.5	13	19	36.5	24	GN 184-25	450
GN 924-140-B16-R-SW	140	16	36	28.5	16.5	13	19	36.5	24	GN 184-25	338
GN 924-140-B16-R-SR	140	16	36	28.5	18	14.5	20	39.5	24	GN 184-25	400
GN 924-140-K16-R-SW	140	16	36	28.5	16.5	13	19	36.5	24	GN 184-25	338
GN 924-140-K16-R-SR	140	16	36	28.5	16.5	13	19	36.5	24	GN 184-25	440
GN 924-160-B14-R-SW	160	14	36	28.5	18	14.5	20	39.5	24	GN 184-25	460
GN 924-160-B14-R-SR	160	14	36	28.5	18	14.5	20	39.5	24	GN 184-25	460
GN 924-160-K14-R-SW	160	14	36	28.5	18	14.5	20	39.5	24	GN 184-25	460
GN 924-160-K14-R-SR	160	14	36	28.5	18	14.5	20	39.5	24	GN 184-25	560
GN 924-160-B16-R-SW	160	16	36	28.5	18	14.5	20	39.5	24	GN 184-25	460
GN 924-160-B16-R-SR	160	16	36	28.5	18	14.5	20	39.5	24	GN 184-25	500
GN 924-160-K16-R-SW	160	16	36	28.5	18	14.5	20	39.5	24	GN 184-25	460
GN 924-160-K16-R-SR	160	16	36	28.5	18	14.5	20	39.5	24	GN 184-25	500
GN 924-200-B18-R-SW	200	18	42	36	20.5	16	24	45.5	25	GN 188-32	720
GN 924-200-B18-R-SR	200	18	42	36	20.5	16	24	45.5	25	GN 184-32	875
GN 924-200-K18-R-SW	200	18	42	36	20.5	16	24	45.5	25	GN 184-32	720
GN 924-200-K18-R-SR	200	18	42	36	20.5	16	24	45.5	25	GN 184-32	875
GN 924-200-B20-R-SW	200	18	42	36	20.5	16	24	45.5	25	GN 184-32	740
GN 924-200-B20-R-SR	200	20	42	36	20.5	16	24	45.5	25	GN 184-32	860
GN 924-200-K20-R-SW	200	20	42	36	20.5	16	24	45.5	25	GN 184-32	740
GN 924-200-K20-R-SR	200	20	42	36	20.5	16	24	45.5	25	GN 184-32	860

This product had the following design awards:



