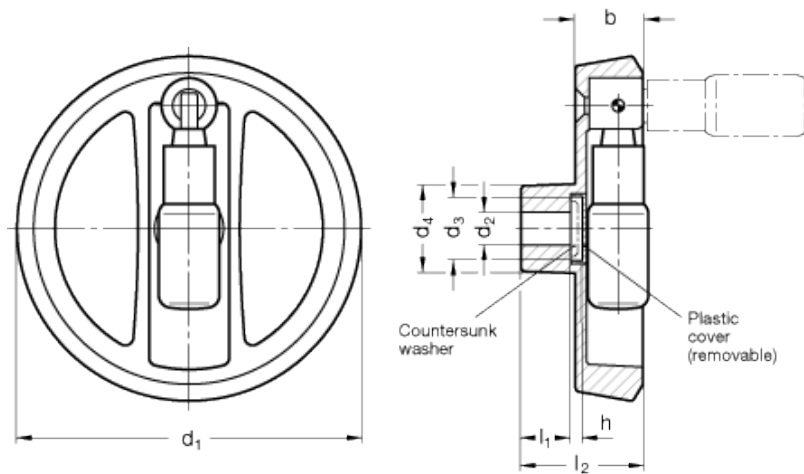


GN 924.3

Spoked handwheels with fold-away handle



technical informations

Material

Aluminium pressure die casting, hub machined, rim turned.

Colour

- Version SW: plastic coated, black RAL 9005, textured finish.
- Version SR: plastic coated, silver RAL 9006, textured finish.

Assembly

- Version B: hub with H7 tolerance plain hole.
 - Version K: hub with H7 reamed hole with keyway in compliance with [DIN 6885/1 P9 tolerance](#).
- For fixing GN 924.3 on shafts by a grub screw see [Technical Data](#).

Plastic cover

Polyamide based (PA) technopolymer, light-grey colour, push-fit assembly.

Fold-away handle

Type GN 798.3 in polyamide based (PA) technopolymer, black colour, matte finish. Resistant to solvents, oils, greases and other chemical agents. The two-volume special design of the handle provides the operator's hand with a safe and ergonomic grip when turning the handwheel.

Features and applications

Spoked handwheels GN 924.3 with fold-away handle are distinguished by modern design. The handle in these handwheels is locked in a conical bore in the operating position. For reversal, it must first be pulled from the cone in axial direction. A pressure spring holds the handle in both positions. When swung out, it automatically engages again.

Accessories on request

Axial retaining washer [GN 184](#).

Technical data

Axial and radial runout lower than 0.4.

Standard Elements	Main dimensions						Bore		Handle	Recommended washer	Weight
Description	d ₁	d ₃	d ₄	b	h	l ₂ ≈	d ₂ H7	l ₁	Ø		g
GN 924.3-125-B12-R-SW	125	23	31	24.5	4	45	12	18	22	GN 184-22	465
GN 924.3-125-B12-R-SR	125	23	31	24.5	4	45	12	18	22	GN 184-22	465
GN 924.3-125-K12-R-SW	125	23	31	24.5	4	45	12	18	22	GN 184-22	460
GN 924.3-125-K12-R-SR	125	23	31	24.5	4	45	12	18	22	GN 184-22	460
GN 924.3-125-B14-R-SW	125	23	36	26	4	47	14	19	24	GN 184-22	600
GN 924.3-125-B14-R-SR	125	23	31	24.5	4	45	14	18	22	GN 184-22	450
GN 924.3-125-K14-R-SW	125	23	31	24.5	4	45	14	18	22	GN 184-22	440
GN 924.3-125-K14-R-SR	125	23	31	24.5	4	45	14	18	22	GN 184-22	440
GN 924.3-140-B14-R-SW	140	23	36	26	4	47	14	19	24	GN 184-22	600
GN 924.3-140-B14-R-SR	140	23	36	26	4	47	14	19	24	GN 184-22	600
GN 924.3-140-K14-R-SW	140	23	36	26	4	47	14	19	24	GN 184-22	590
GN 924.3-140-K14-R-SR	140	23	36	26	4	47	14	19	24	GN 184-22	590
GN 924.3-140-B16-R-SW	140	23	36	26	4	47	16	19	24	GN 184-22	600
GN 924.3-140-B16-R-SR	140	23	36	26	4	47	16	19	24	GN 184-22	600
GN 924.3-140-K16-R-SW	140	23	36	26	4	47	16	19	24	GN 184-22	590
GN 924.3-140-K16-R-SR	140	23	36	26	4	47	16	19	24	GN 184-22	590
GN 924.3-160-B14-R-SW	160	23	36	26	4	48	14	20	24	GN 184-22	700
GN 924.3-160-B14-R-SR	160	23	36	26	4	48	14	20	24	GN 184-22	700
GN 924.3-160-K14-R-SW	160	23	36	26	4	48	14	20	24	GN 184-22	690
GN 924.3-160-K14-R-SR	160	23	36	26	4	48	14	20	24	GN 184-22	690
GN 924.3-160-B16-R-SW	160	23	36	26	4	48	16	20	24	GN 184-22	700
GN 924.3-160-B16-R-SR	160	23	36	26	4	48	16	20	24	GN 184-22	700
GN 924.3-160-K16-R-SW	160	23	36	26	4	48	16	20	24	GN 184-22	690
GN 924.3-160-K16-R-SR	160	23	36	26	4	48	16	20	24	GN 184-22	690
GN 924.3-200-B18-R-SW	200	23	42	27	4	53	18	24	25	GN 184-22	900
GN 924.3-200-B18-R-SR	200	23	42	27	4	53	18	24	25	GN 184-22	900
GN 924.3-200-B20-R-SR	200	23	42	27	4	53	18	24	25	GN 184-22	900
GN 924.3-200-K18-R-SW	200	23	42	27	4	53	18	24	25	GN 184-22	890
GN 924.3-200-K18-R-SR	200	23	42	27	4	53	18	24	25	GN 184-22	890

GN 924.3-200-B20-R-SW	200	23	42	27	4	53	20	24	25	GN 184-22	1650
GN 924.3-200-B20-R-SR	200	23	42	27	4	53	20	24	25	GN 184-22	1650
GN 924.3-200-K20-R-SW	200	23	42	27	4	53	20	24	25	GN 184-22	1640
GN 924.3-200-K20-R-SR	200	23	42	27	4	53	20	24	25	GN 184-22	1640

This product had the following design awards:



STANDARD MACHINE ELEMENTS WORLDWIDE