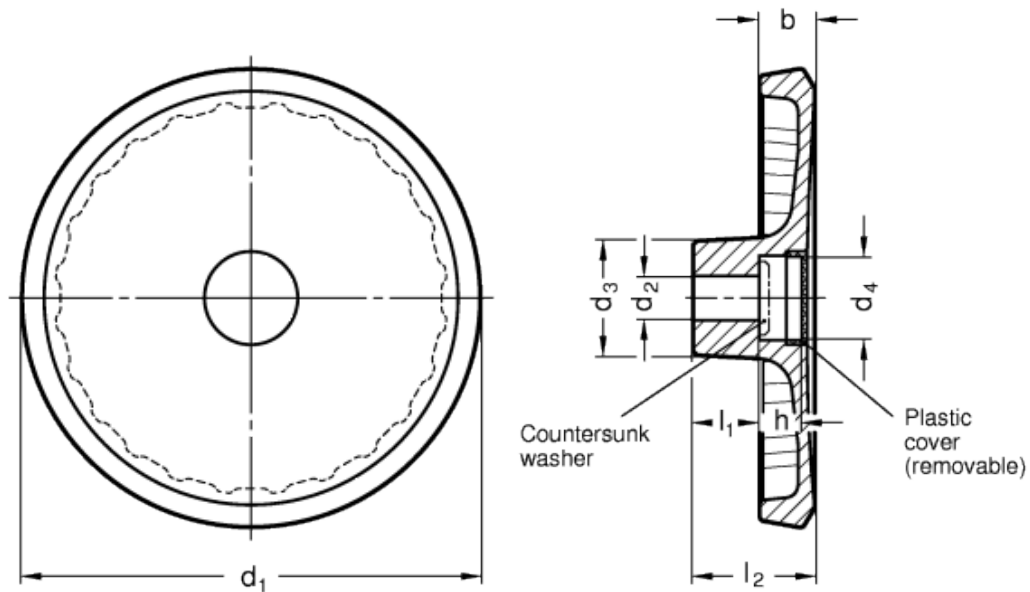


GN 923-A

Solid handwheels



technical informations

Material

Aluminium pressure die casting, hub machined, rim turned.

Colour

- Version SW: plastic coated, black RAL 9005, textured finish.
- Version SR: plastic coated, silver RAL 9006, textured finish.

Assembly

- Version B: hub with H7 tolerance plain hole.
 - Version K: hub with H7 reamed hole with keyway in compliance with [DIN 6885/1 P9 tolerance](#).
- For fixing GN 923 on shafts by a grub screw see [Technical Data](#).

Plastic cover

Polyamide based (PA) technopolymer, light-grey colour, push-fit assembly

Accessories on request

Axial retaining washer [GN 184](#).

Features and applications

Solid handwheels GN 923-A are distinguished by modern design. The removable plastic cover shrouds the fixing components such as screws, countersunk washers as well as the shaft end.

Technical data

Axial and radial runout lower than 0.4.

Standard Elements	Main dimensions						Bore		Recommended washer	Weight g
	d ₁	d ₃	d ₄	b	h	l ₂ ≈	d _{2H7}	l ₁		
GN 923-80-B10-A-*	80	26	17	13	7	26	10	16	GN 184-16	101
GN 923-80-K10-A-*	80	26	17	13	7	26	10	16	GN 184-16	99
GN 923-80-B12-A-*	80	26	17	13	7	26	12	16	GN 184-16	100
GN 923-80-K12-A-*	80	26	17	13	7	26	12	16	GN-184-16	98
GN 923-100-B10-A-*	100	28	12	14	9.5	30	10	17	GN 184-20	160
GN 923-100-K10-A-*	100	28	22	14	9.5	30	10	17	GN 184-20	152
GN 923-100-B12-A-*	100	28	22	14	9.5	30	12	17	GN 184-20	150
GN 923-100-K12-A-*	100	28	22	14	9.5	30	12	17	GN 184-20	140
GN 923-125-B12-A-*	125	31	22	15	11	33	12	18	GN 184-20	260
GN 923-125-K12-A-*	125	31	22	15	11	33	12	18	GN-184-20	255
GN 923-125-B14-A-*	125	31	22	15	11	33	14	18	GN 184-20	260
GN 923-125-K14-A-*	125	33	15	11	31	22	14	18	GN-184-20	340
GN 923-140-B14-A-*	140	36	28.5	16.5	13	36	14	19	GN 184-25	350
GN 923-140-K14-A-*	140	36	28.5	16.5	13	36	14	19	GN-184-25	338
GN 923-140-B16-A-*	140	36	28.5	16.5	13	36	16	19	GN 184-25	350
GN 923-140-K16-A-*	140	36	28.5	16.5	13	36	16	19	GN 184-25	338
GN 923-160-B14-A-*	160	36	28.5	18	14.5	39	14	20	GN 184-25	450
GN 923-160-K14-A-*	160	36	28.5	18	14.5	39	14	20	GN-184-25	440
GN 923-160-B16-A-*	160	36	28.5	18	14.5	39	16	20	GN 184-25	450
GN 923-160-K16-A-*	160	36	28.5	18	14.5	39	16	20	GN 184-25	440
GN 923-200-B18-A-*	200	42	36	20.5	16	45	18	24	GN 184-32	780
GN 923-200-K18-A-*	200	42	36	20.5	16	45	18	24	GN 184-32	770
GN 923-200-B20-A-*	200	42	36	20.5	16	45	20	24	GN 184-32	775
GN 923-200-K20-A-*	200	42	36	20.5	16	45	20	24	GN 184-32	765

* Complete the description of the standard item needed by adding the colour of the handwheel: SW (black) or SR (silver).

This product had the following design awards:



reddot design award
winner 2010



STANDARD MACHINE ELEMENTS WORLDWIDE