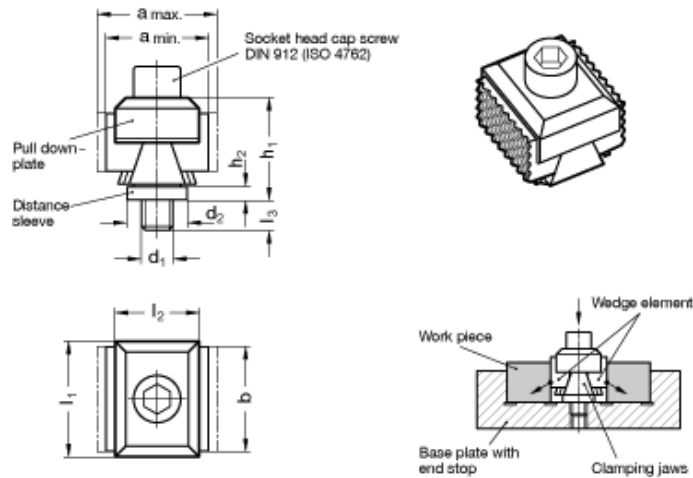


GN 920.2

Pull-down plates



technical informations

Material

Black-oxide steel.

Wedge block

Blank steel.

Socket head cap screw DIN 912 (ISO 4762)

Steel, class 12.9 (tensile strength 1200 N/mm²)

T-nuts

Black-oxide tempered steel.

Applications

The pull-down plates GN 920.2 allow wedge clamps GN 920.1 to clamp easily with pull-down effect.
The socket head cap screw DIN 912 and the distance sleeve are included in the order.

Standard Elements	Main dimensions												for wedge clamps GN 920.1 with		Weight
Description	l_1	l_2	d_1	b	^a max. Type GA Type GL	^a max. Type PR Type RF	^a min. Type GA Type GL	^a min. Type PR Type RF	d_2 ∅	h_1	h_2	l_3	d	b	g
GN 920.2-25-32-M8	25	32	M8	21	44.5	39.5	40	35	18	27.5	4	7.5	M8	21	60
GN 920.2-29-32-M8	29	32	M8	25	44.5	39.5	40	35	18	27.5	4	7.5	M8	25	77
GN 920.2-36-32-M8	36	32	M8	32	44.5	39.5	40	35	18	27.5	4	7.5	M8	32	84
GN 920.2-44-32-M8	44	32	M8	40	44.5	39.5	40	35	18	27.5	4	7.5	M8	40	92
GN 920.2-44-32-M12	44	32	M12	40	45.5	45.5	39.5	39.5	23	38.5	5	11.5	M12	40	156
GN 920.2-54-32-M8	54	32	M8	50	44.5	39.5	40	35	18	27.5	4	7.5	M8	50	90
GN 920.2-54-32-M12	54	32	M12	50	45.5	45.5	39.5	39.5	23	38.5	5	11.5	M12	50	170



STANDARD MACHINE ELEMENTS WORLDWIDE