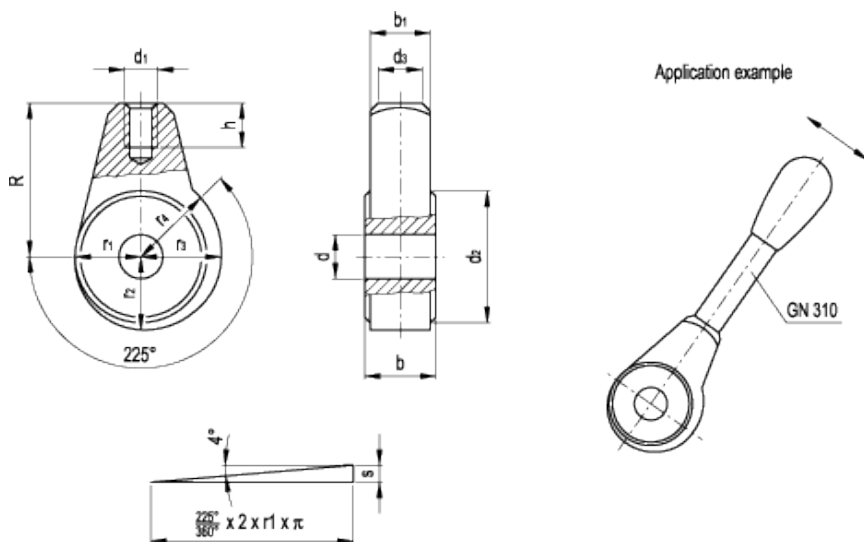


GN 919

Hubs with eccentric cam



technical informations

Material

Sintered and case-hardened black-oxide steel.

Applications

GN 919 hubs with eccentric cam are used for adjusting and clamping operations.

| Standard Elements | Main dimensions | | | | | | | | | | | | | Weight |
|-------------------|-----------------|----------|--------------------|-------|-------|-------|----|-------|-------|-------|-------|-----|----|--------|
| Description | d_2 | d_{H9} | $b^{-0.05 - 0.15}$ | b_1 | d_1 | d_3 | R | r_1 | r_2 | r_3 | r_4 | s | h | g |
| GN 919-24-B8 | 24 | 8 | 13 | 11 | M6 | 8 | 28 | 12 | 13.32 | 14.64 | 15.3 | 3.3 | 9 | 59 |
| GN 919-30-B10 | 30 | 10 | 15 | 13 | M8 | 10 | 32 | 15 | 16.65 | 18.3 | 19.12 | 4.1 | 12 | 100 |
| GN 919-35-B12 | 35 | 12 | 17 | 15 | M10 | 12 | 36 | 17.5 | 19.42 | 21.34 | 22.31 | 4.8 | 15 | 150 |



ELESA and GANTER models all rights reserved in accordance with the law. Always mention the source when reproducing our drawings.

STANDARD MACHINE ELEMENTS WORLDWIDE