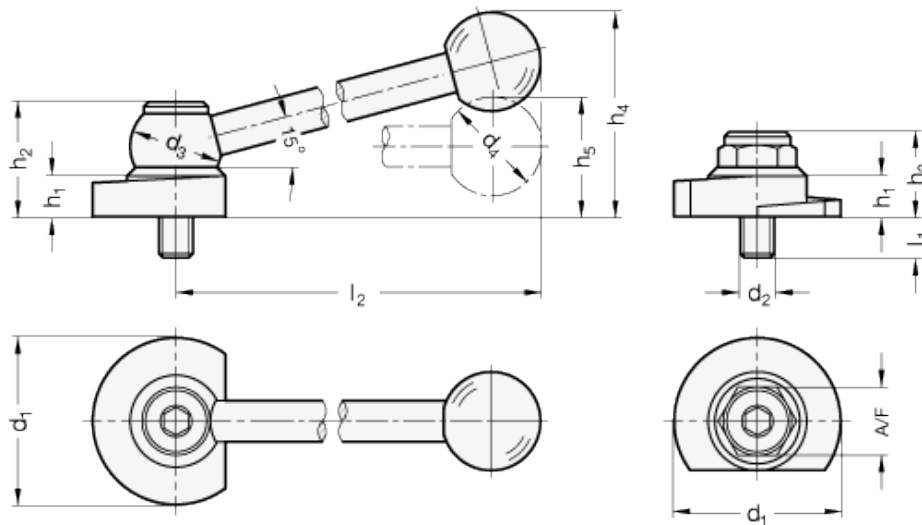


# GN 918.6

Cam locking levers



INOX  
Stainless Steel



## technical informations

### Lever

AISI 303 stainless steel, shot-blasted matte finish.

### Ball knob (type KV and type GV)

DIN 319 Plastic, duroplast, shiny finish.

### Screw

AISI 420 stainless steel, hexagon socket head.

### Cam and washer

AISI 303 tempered stainless steel chemically nickel-plated.

### Assembly

- Type KV: with ball lever, angular (serrations).
- Type GV: with ball lever, straight (serrations).
- Type SK: with hexagon.

### Standard versions available

- Version R: clockwise rotation (drawn version).
- Version L: anti-clockwise rotation.

### Features and applications

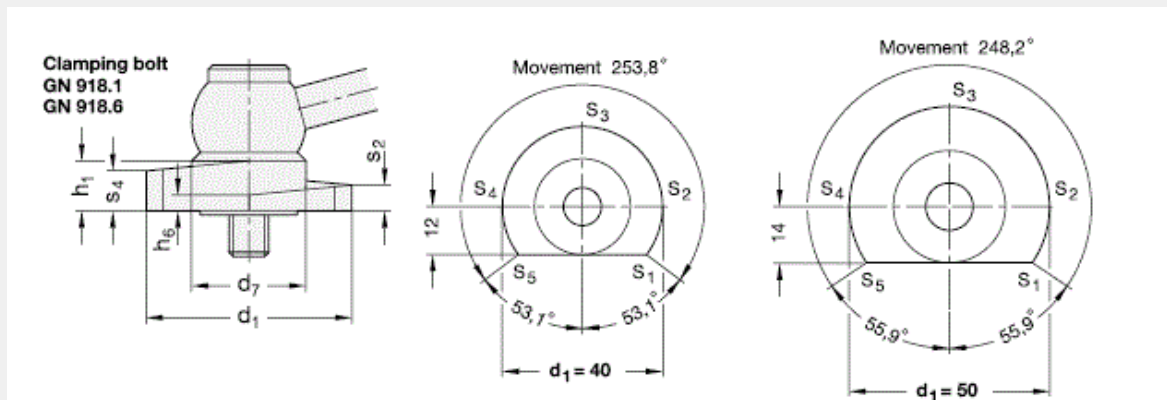
Clamping bolts GN GN 918.6 are fitted with a rotating helix. They allow rapid and safe clamping and releasing with a relatively long movement and high clamping force. The small rising angle of the helix makes it self arresting. The ball handle is linked with the clamping mechanism via a serrated ratchet thus allowing an individual positioning of the hand lever.

Bolt and washer are matched to allow an effortless release from the clamped position. The washer "saves" special requirements to the execution of the female thread and the clamping bolt can therefore also be used on T-Nuts on machine beds.

Clamping bolts offer the advantage that they can be rotated away from the clamping area after release.

Clamping bolts can also be used as stepless adjustable end stops. If the washer is removed the bolt can be clamped direct to its support.

Spherical clamping bolt GN 605 are recommended for use with these clamping bolts



$d_1 -0,5$	$d_7$	$h_1$	$h_6$
40	24	10	3,6
50	28	12	4

Standard Elements	Main dimensions												Threaded stud		Weight
	Description	$d_1 -0,5$	$d_3$	$d_4$	$d_7$	$h_1$	$h_2$	$h_3$	$h_4 \approx$	$h_5$	$h_6$	$l_2 \approx$	A/F	$d_2$	
GN 918.6-40-KV-R	40	24	25	24	10	31	-	55	-	3.6	100	-	M8	8	180
GN 918.6-40-KV-L	40	24	25	24	10	31	-	55	-	3.6	100	-	M8	8	180
GN 918.6-40-GV-R	40	24	25	24	10	31	-	-	31	3.6	100	-	M8	8	170
GN 918.6-40-GV-L	40	24	25	24	10	31	-	-	31	3.6	100	-	M8	8	170
GN 918.6-40-SK-R	40	-	-	24	10	-	21	-	-	3.6	-	15	M8	8	90
GN 918.6-40-SK-L	40	-	-	24	10	-	21	-	-	3.6	-	15	M8	8	90
GN 918.6-50-KV-R	50	28	30	28	12	34.5	-	62	28	4	116	-	M10	11	310
GN 918.6-50-KV-L	50	28	30	28	12	34.5	-	62	-	4	116	-	M10	11	310
GN 918.6-50-GV-R	50	28	30	28	10	34.5	-	-	36	4	116	-	M10	11	290
GN 918.6-50-GV-L	50	28	30	28	12	34.5	-	-	36	4	116	-	M10	11	290
GN 918.6-50-SK-R	50	-	-	28	12	-	24	-	-	4	-	19	M10	11	154
GN 918.6-50-SK-L	50	-	-	28	12	-	24	-	-	4	-	19	M10	11	154

