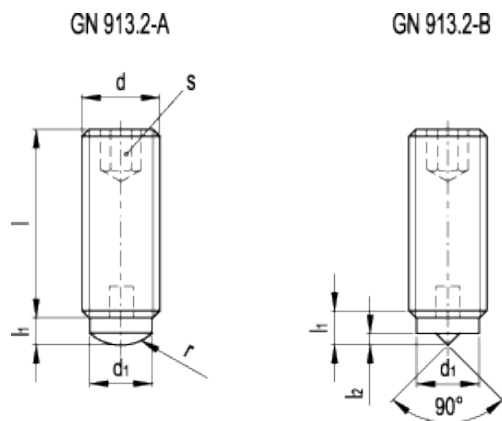


GN 913.2

Grub screws



technical informations

Screw

Steel, blackened.

Nose

- Execution A: steel, hardened and spherical.
- Execution B: steel, hardened and pointed.

Applications

Grub screws GN 913.2 with hardened spherical nose (execution A) are used in such cases where point contact is required. They are a lower cost alternative to ball point screws [GN 605](#) and [GN 606](#). Grub screws GN 913.2 with hardened pointed nose (execution B) offer an alternative form of finish. Furthermore they can be used as a locator for a drill.

Standard Elements	Main dimensions							Weight
Description	d	l	d ₁	l ₁	l ₂	r	s	g
GN 913.2-M5-8-A	M5	8	3	1	-	2.5	2.5	1
GN 913.2-M5-12-A	M5	12	3	1	-	2.5	2.5	1
GN 913.2-M5-16-A	M5	16	3	1	-	2.5	2.5	1
GN 913.2-M5-20-A	M5	20	3	1	-	2.5	2.5	2
GN 913.2-M5-8-B	M5	8	3	1	0.5	-	2.5	1
GN 913.2-M5-12-B	M5	12	3	1	0.5	-	2.5	1
GN 913.2-M5-16-B	M5	16	3	1	0.5	-	2.5	1
GN 913.2-M5-20-B	M5	20	3	1	0.5	-	2.5	2
GN 913.2-M6-12-A	M6	12	4	1.8	-	3	3	2
GN 913.2-M6-16-A	M6	16	4	1.8	-	3	3	3
GN 913.2-M6-20-A	M6	20	4	1.8	-	3	3	3
GN 913.2-M6-25-A	M6	25	4	1.8	-	3	3	4
GN 913.2-M6-12-B	M6	12	4	1.8	0.8	-	3	2
GN 913.2-M6-16-B	M6	16	4	1.8	0.8	-	3	3
GN 913.2-M6-20-B	M6	20	4	1.8	0.8	-	3	4
GN 913.2-M6-25-B	M6	25	4	1.8	0.8	-	3	4
GN 913.2-M8-12-A	M8	12	6	2.5	-	5	4	3
GN 913.2-M8-16-A	M8	16	6	2.5	-	5	4	5
GN 913.2-M8-20-A	M8	20	6	2.5	-	5	4	6
GN 913.2-M8-25-A	M8	25	6	2.5	-	5	4	7
GN 913.2-M8-32-A	M8	32	6	2.5	-	5	4	9
GN 913.2-M8-12-B	M8	12	6	2.5	1	5	4	3
GN 913.2-M8-16-B	M8	16	6	2.5	1	5	4	5
GN 913.2-M8-20-B	M8	20	6	2.5	1	5	4	6
GN 913.2-M8-25-B	M8	25	6	2.5	1	5	4	7
GN 913.2-M8-32-B	M8	32	6	2.5	1	5	4	9
GN 913.2-M10-16-A	M10	16	8	3.5	-	6	5	7
GN 913.2-M10-20-A	M10	20	8	3.5	-	6	5	9
GN 913.2-M10-25-A	M10	25	8	3.5	-	6	5	11
GN 913.2-M10-32-A	M10	32	8	3.5	-	6	5	15
GN 913.2-M10-40-A	M10	40	8	3.5	-	6	5	18
GN 913.2-M10-16-B	M10	16	8	3.5	1.5	6	5	7
GN 913.2-M10-20-B	M10	20	8	3.5	1.5	6	5	9
GN 913.2-M10-25-B	M10	25	8	3.5	1.5	6	5	11
GN 913.2-M10-32-B	M10	32	8	3.5	1.5	6	5	15
GN 913.2-M10-40-B	M10	40	8	3.5	1.5	6	5	18