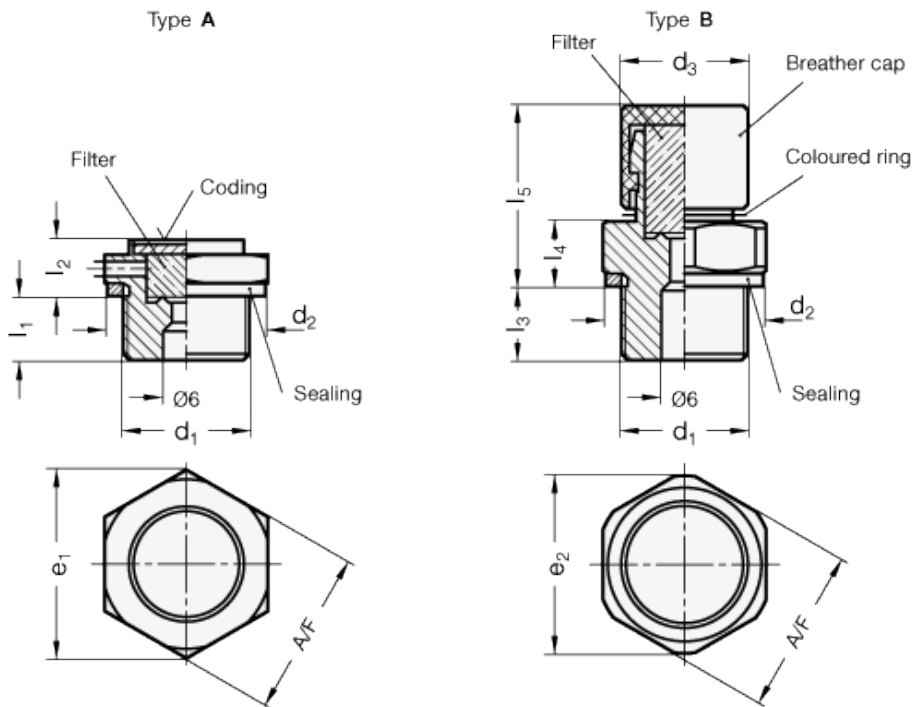


GN 884

Breather filters



technical informations

Specification

Types

- Type A: low design
- Type B: high design, with plastic cap

Valve body

Brass MS

Air filter

- Stainless Steel-Wire mesh AISI 304
- Filter category G2-G3
- Mean separation rate (Am approx. 65 - 80% based on a particle size > 10 µm)

Sealing DIN 7603 A
Soft iron 1.0338
(at d1 = M10 x 1: PA6)

Breather (type B)
plastic

temperature resistant
from -30 °C up to +100 °C

Information

The breather filters GN 884 are used when the air exchange is to be allowed between the inside of the container and the ambient air.

The stainless steel wire mesh prevents air-borne particles of a certain size from being carried into the inside of the container and simultaneously ensures that e.g. oil particles do not escape to the outside.

A label with the symbol "BE" (type A) or a blue coloured ring (type B) marks the filter function. The recommended installation position is vertical to the top.

On request

- other materials
- other dimensions

Standard Elements	Main dimensions												Weight
Description	d ₁	d ₂	d ₃	e ₁	e ₂	l ₁	l ₂	l ₃	l ₄	l ₅	A/F	ca. air passage l/min. bei 0.2 bar	g
GN 884-G1/8-A-MS	G 1/8	13.5	-	16	-	6	6	-	-	-	14	24	-
GN 884-M10x1-A-MS	M10x1	14.5	-	16	-	6	6	-	-	-	14	24	-
GN 884-M12x1.5-A-MS	M12x1.5	18	-	19.5	-	6.5	6	-	-	-	17	24	-
GN 884-G1/4-A-MS	G1/4	20	-	19.5	-	6.5	6	-	-	-	17	24	-
GN 884-M14x1.5-A-MS	M14x1.5	20	-	19.5	-	6.5	11	-	-	-	22	24	-
GN 884-M16x1.5-A-MS	M16x1.5	22	-	25	-	9	11	-	-	-	22	24	-
GN 884-M18x1.5-A-MS	M18x1.5	24	-	25	-	9	11	-	-	-	22	24	-
GN 884-M22x1.5-A-MS	M22x1.5	27	-	31	-	9	11	-	-	-	22	25	-
GN 884-G3/8-A-MS	G3/8	23	-	25	-	9	11	-	-	-	22	24	-
GN 884-G1/2-A-MS	G1/2	26	-	31	-	8.5	11	-	-	-	27	24	-
GN 884-G3/4-A-MS	G3/4	32	-	37	-	8.5	11	-	-	-	32	24	-
GN 884-G1/8-B-MS	G1/8	13.5	13	-	18.5	-	-	8	7	18.5	17	46	-
GN 884-M10x1-B-MS	M10x1	14.5	13	-	18.5	-	-	8	7	18.5	17	46	-
GN 884-M12x1.5-B-MS	M12x1.5	18	13	-	18.5	-	-	7.5	7.5	19	17	46	-
GN 884-G1/4-B-MS	G1/4	20	13	-	18.5	-	-	7.5	7.5	19	17	46	-
GN 884-M14x1.5-B-MS	M14x1.5	20	13	-	18.5	-	-	7.5	7.5	19	17	46	-
GN 884-M16x1.5-B-MS	M16x1.5	22	13	-	24	-	-	7.5	7.5	19	22	46	-
GN 884-M18x1.5-B-MS	M18x1.5	24	13	-	24	-	-	7.5	7.5	19	22	46	-
GN 884-M22x1.5-B-MS	M22x1.5	27	13	-	29	-	-	7.5	7.5	19	27	46	-
GN 884-G3/8-B-MS	G3/8	23	13	-	24	-	-	7.5	7.5	19	22	46	-
GN 884-G1/2-B-MS	G1/2	26	13	-	29	-	-	8	8	19.5	27	46	-
GN 884-G3/4-B-MS	G3/4	32	13	-	35	-	-	8	8	19.5	32	46	-

