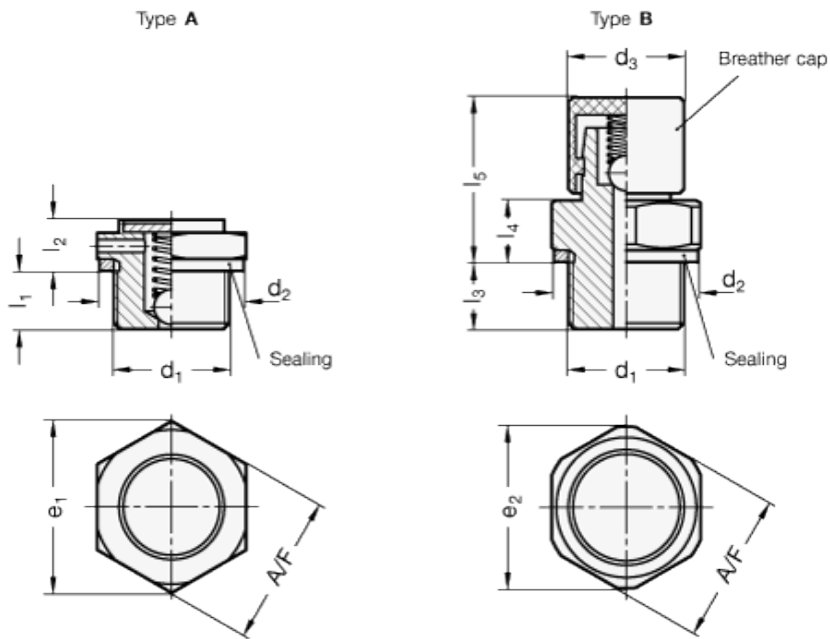


# GN 883

Breather valves



technical informations

**Material**  
Brass.

**Breather cap**

Plastic, Polyamide based (PA) technopolymer. Resistant to solvents, oils, greases and other chemical agents.

**Bore**

AISI 5210 stainless steel.

## Spring

AISI 301 stainless steel.

## Sealing DIN 7603 A

Soft iron 1.0338 (for  $d_1 = M10 \times 1: PA6$ )

## Temperature resistance

From  $-30^\circ\text{C}$  to  $+100^\circ\text{C}$ .

## Standard versions available

- Type A: low design.
- Type B: high design, with plastic cap.

## Accessories on request

- other materials.
- with dipstick.

## Features and applications

Once the opening pressure given in the table is exceeded, breather valves GN 883 will vent into a container and so protect against excessive inside container pressure. They also feature highly compact dimensions. The simple function principle (pressure spring / ball) ensures long and trouble-free use of the valve. The installation position is vertical to the top.

Standard Elements	Main dimensions											Opening pressure in mbar		ca. air passage l/min.	Weight
Description	d <sub>1</sub>	d <sub>2</sub>	d <sub>3</sub>	e <sub>1</sub>	e <sub>2</sub>	l <sub>1</sub>	l <sub>2</sub>	l <sub>3</sub>	l <sub>4</sub>	l <sub>5</sub>	A/F	min.	max.		g
GN 883-M10x1-20-A-MS	M10x1	17	-	16	-	6	6	-	-	-	14	20	80	1.2	8
GN 883-M10x1-160-A-MS	M10x1	17	-	16	-	6	6	-	-	-	14	160	240	1.2	8
GN 883-M12x1.5-20-A-MS	M12x1.5	18	-	19.5	-	6.5	6	-	-	-	17	20	80	1.2	14
GN 883-M12x1.5-160-A-MS	M12x1.5	18	-	19.5	-	6.5	6	-	-	-	17	160	240	1.2	14
GN 883-M14x1.5-20-A-MS	M14x1.5	20	-	19.5	-	6.5	6	-	-	-	17	20	80	1.2	16
GN 883-M14x1.5-160-A-MS	M14x1.5	20	-	19.5	-	6.5	6	-	-	-	17	160	240	1.2	16
GN 883-M16x1.5-20-A-MS	M16x1.5	22	-	25	-	9	11	-	-	-	22	20	80	1.2	35
GN 883-M16x1.5-160-A-MS	M16x1.5	22	-	25	-	9	11	-	-	-	22	160	240	1.2	36
GN 883-M10x1-20-B-MS	M10x1	-	13	-	18.5	-	-	8	7	18.5	17	20	80	1.8	19
GN 883-M10x1-160-B-MS	M10x1	-	13	-	18.5	-	-	8	7	18.5	17	160	240	1.8	19
GN 883-M12x1.5-20-B-MS	M12x1.5	-	13	-	18.5	-	-	7.5	7	19	17	20	80	1.8	22
GN 883-M12x1.5-160-B-MS	M12x1.5	18	13	-	18.5	-	-	7.5	7	19	17	160	240	1.8	22
GN 883-M14x1.5-20-B-MS	M14x1.5	20	13	-	18.5	-	-	7.5	7.5	19	17	20	80	1.8	25
GN 883-M14x1.5-160-B-MS	M14x1.5	20	13	-	18.5	-	-	7.5	7.5	19	17	160	240	1.8	25
GN 883-M16x1.5-20-B-MS	M16x1.5	22	13	-	24	-	-	7.5	7.5	19	22	20	80	1.8	36
GN 883-M16x1.5-160-B-MS	M16x1.5	22	13	-	24	-	-	7.5	7.5	19	22	160	240	1.8	36
GN 883-G1/4-20-A-MS	G1/4	20	-	19.5	-	6.5	6	-	-	-	17	20	80	1.2	15
GN 883-G1/4-160-A-MS	G1/4	20	-	19.5	-	6.5	6	-	-	-	17	160	240	1.2	15
GN 883-G3/8-20-A-MS	G3/8	23	-	25	-	9	11	-	-	-	22	20	80	1.2	37
GN 883-G3/8-160-A-MS	G3/8	23	-	25	-	9	11	-	-	-	22	20	240	1.2	37
GN 883-G1/2-20-A-MS	G1/2	26	-	31	-	8.5	11	-	-	-	27	20	80	1.2	46
GN 883-G1/2-160-A-MS	G3/8	23	-	25	-	9	11	-	-	-	22	160	240	1.2	54
GN 883-G3/4-20-A-MS	G3/4	32	-	37	-	8.5	11	-	-	-	32	20	80	1.2	72
GN 883-G3/4-160-A-MS	G3/4	32	-	37	-	8.5	11	-	-	-	32	160	240	1.2	83
GN 883-G1/4-20-B-MS	G1/4	20	13	-	18.5	-	-	7.5	7.5	19	17	20	80	1.8	24
GN 883-G1/4-160-B-MS	G1/4	20	13	-	18.5	-	-	7.5	7.5	19	17	160	240	1.8	24
GN 883-G3/8-20-B-MS	G3/8	23	13	-	24	-	-	7.5	7.5	19	22	20	80	1.8	38
GN 883-G3/8-160-B-MS	G3/8	23	13	-	24	-	-	7.5	7.5	19	22	160	240	1.8	38
GN 883-G1/2-20-B-MS	G1/2	26	13	-	29	-	-	8	8	19.5	27	20	80	1.8	56
GN 883-G1/2-160-B-MS	G1/2	26	13	-	29	-	-	8	8	19.5	27	160	240	1.8	56
GN 883-G3/4-20-B-MS	G3/4	32	13	-	35	-	-	8	8	19.5	32	20	80	1.8	84
GN 883-G3/4-160-B-MS	G3/4	32	13	-	35	-	-	8	8	19.5	32	160	240	1.8	84



STANDARD MACHINE ELEMENTS WORLDWIDE