

Threaded flanges

for swing clamps GN 876

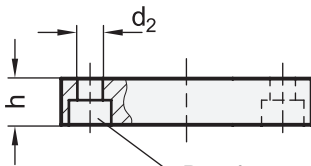
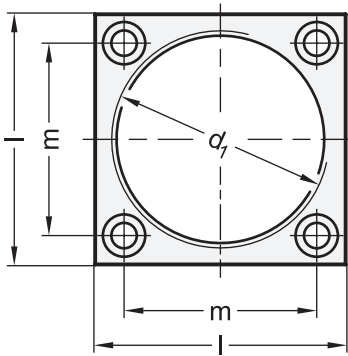
SPECIFICATION

Steel **ST**
zinc plated, blue passivated

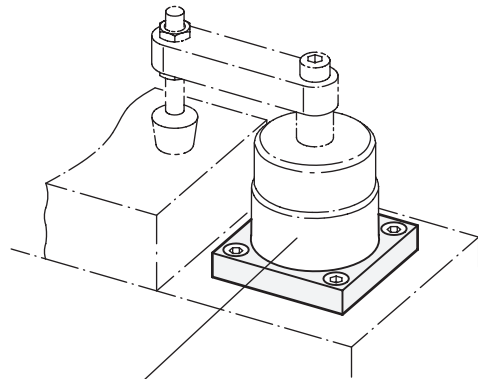
INFORMATION

Threaded flanges GN 876.1 designed as accessories to swing clamps GN 876 (see page).

This makes it unnecessary to tap the mounting hole of the part.



Bore for
socket cap screw
DIN 912



Swing clamp
GN 876

GN 876.1

Description	for swing clamps Size	d1	m	d2	h	l	Δ
GN 876.1-ST-M40X1,5-37	25	M 40 x 1.5	37	5.4	9	50	73
GN 876.1-ST-M50X1,5-45	32	M 50 x 1.5	45	6.6	12	60	130
GN 876.1-ST-M55X1,5-50	40	M 55 x 1.5	50	6.6	12	65	153
GN 876.1-ST-M65X1,5-58	50	M 65 x 1.5	58	9	15	75	217
GN 876.1-ST-M80X1,5-70	63	M 80 x 1.5	70	9	15	88	266