

Power Clamps

Pneumatic

SPECIFICATION

Type

- Type **BI**: Clamping arm vertical
- Steel C 45
- Chemically nickel plated **NC**
- Max. pressure 10 bar

INFORMATION

The maximum clamping moment of the power clamps GN 865 is reached once the clamping arm is at the end of its stroke. For this reason the working stroke should be completed as closely as possible to the stroke end.

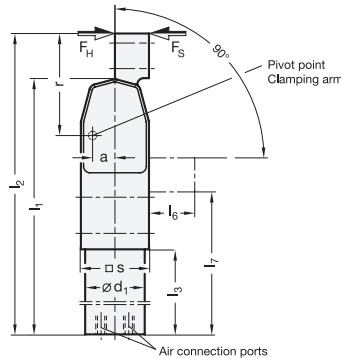
- Information for pneumatic fastening clamps (see page 1632)

ON REQUEST

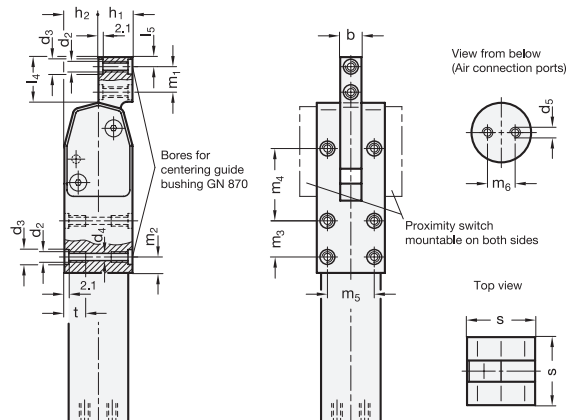
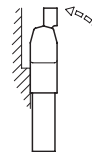
- With anti-stick coating for protection against welding spray and corrosion

TECHNICAL INFORMATION

- ISO-Fundamental Tolerances (see page A21)



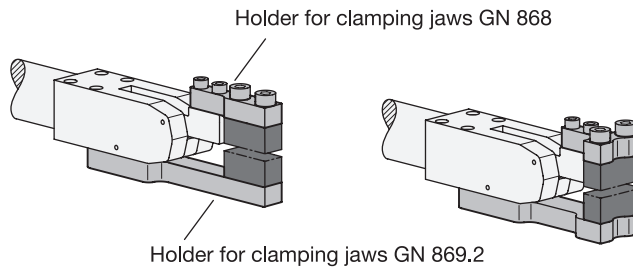
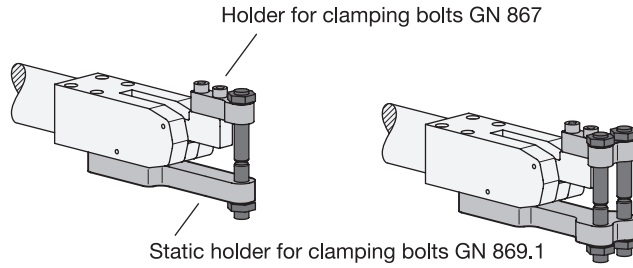
Operating principle



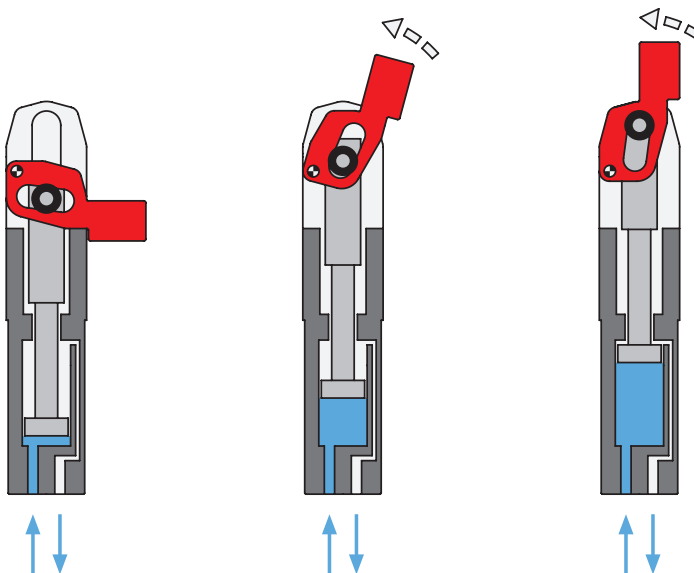
GN 865

Description	Size	max. clamping moment in Nm at 6 bar	F _S in N	F _H in N	a	b	d ₁ h8	d ₂	d ₃ H8	d ₄	d ₅	h ₁	h ₂	l ₁ -0.5	l ₂ -0.5	l ₃	l ₄	l ₅	l ₆	l ₇ -0.5 ± 0.01	m ₁	m ₂ ± 0.01	m ₃ ± 0.01	m ₄ ± 0.01	m ₅ ± 0.01	m ₆	r	s	t	⚖
GN 865-20-BI-NC	20	60	1250	2300	10.5	10	28	M 5	7	4.2	M 5	16	16	150	171	70	21	4.5	21	97	12	7.5	17	34	22	13	47.5	32	13	620
GN 865-32-BI-NC	32	150	2220	3040	15.5	12	40	M 6	9	5	G 1/8	21	21	206	237	91	31	6	31	133	18	10	25	51	30	22	67.5	42	15	1520
GN 865-40-BI-NC	40	300	3640	4060	18.5	16	50	M 8	11	6.8	G 1/8	26	26	244	282	104	38	7.5	38	155	22	13	30	62	37	25	82.5	52	18	2800
GN 865-50-BI-NC	50	475	4900	7200	21.5	18	60	M 10	13	8.5	G 1/8	31	31	279	323	110.5	44	8	44	174	27	12	47	71.5	44	35	96.5	62	21	4000

Installation examples



Principle of operation



Toggle, power and hook clamps 14