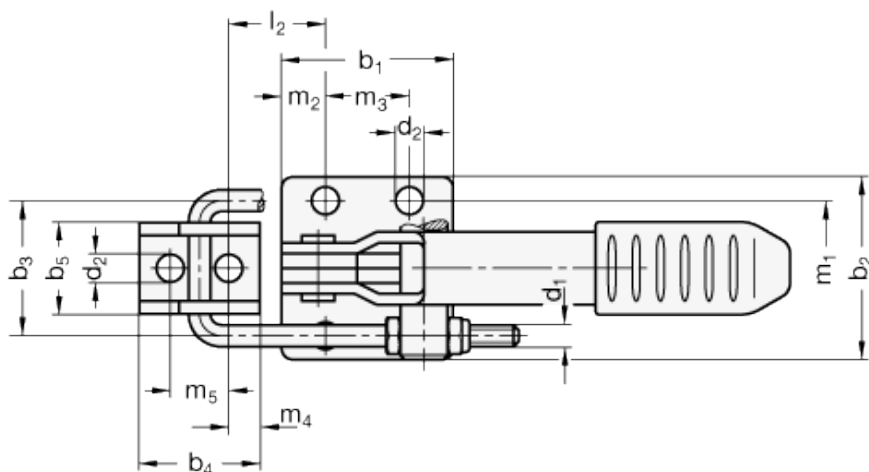
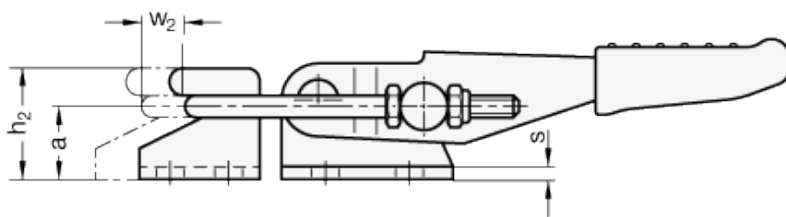
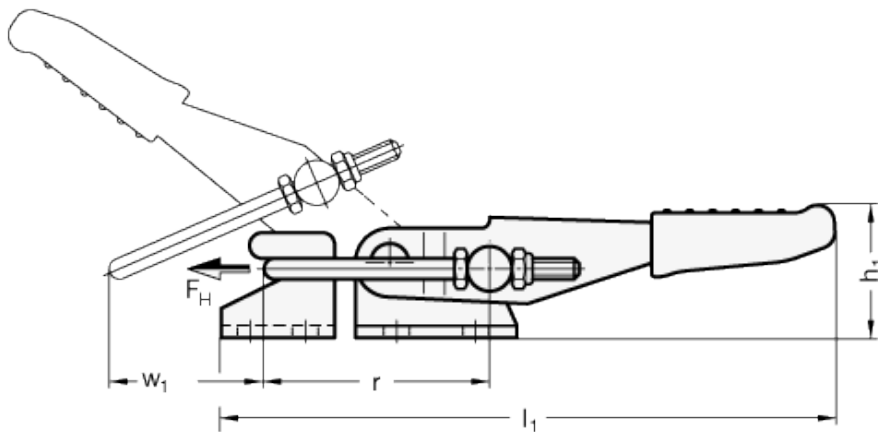


GN 851-NI

Latch clamps with pulling action





technical informations

Parts in sheet metal / Pulling latch

AISI 304 stainless steel.

Bolt

AISI 303 stainless steel, parallel to the clamping arm.

Assembly

All moving parts lubricated with special grease

Handle

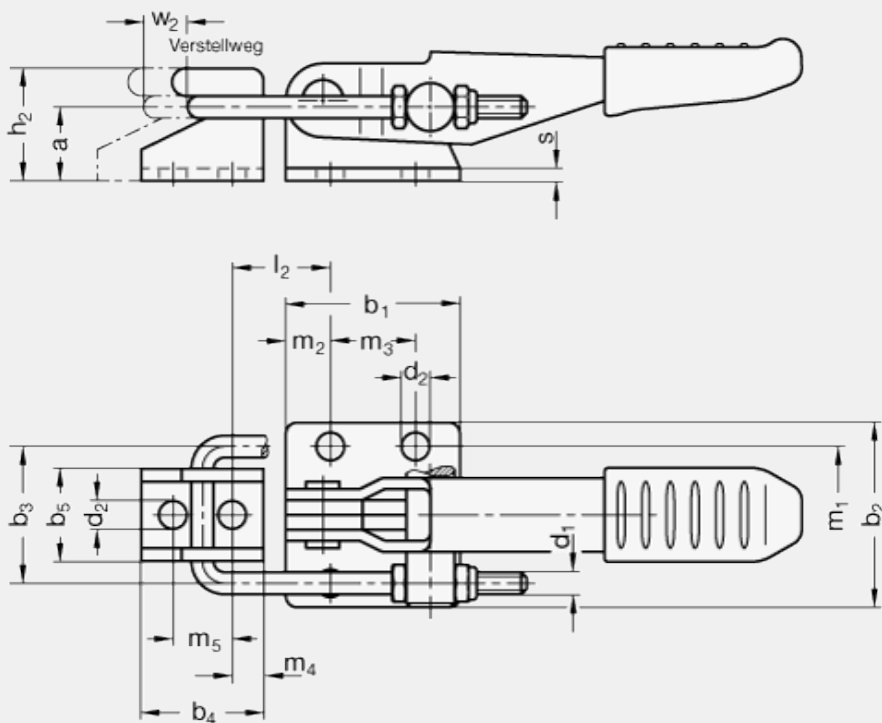
Oil-resistant, solid plastic, red colour.

Standard versions available

- Version T2: with pulling latch, with latch bracket.
- Version T: without pulling latch, with latch bracket.

Features and applications

The stroke of the pulling latch of latch clamps GN 851 can be adjusted within its range.
In the clamped position the pulling latch with clamping arm is parallel to the plane of the operating handle.
Besides the standard dimensions of the pulling latch above, more versions are available under GN 951.1.



Standard
Elements

Main dimensions

Stroke

Adjustable
range

Weig

Description	a	b ₁	b ₂	b ₃	b ₄	b ₅	d ₁	d ₂	h ₁ ≈	h ₂	l ₁ ≈	l ₂ ≈ min.	m ₁	m ₂	m ₃	m ₄	m ₅	r ≈	s	w ₁	w ₂ ≈	Holding force FH in N	g
	GN 851-160-T2-NI	12	26	28	21	20	14	M4	4.3	26	18	98	11	19	5	16	5	10	37	2	25	6	1600
GN 851-320-T2-NI	16	40	44	32	28	22	M6	6.5	30	25	152	19	32	10.5	19	7	14	57	3	48	8.5	3200	250
GN 851-700-T2-NI	24	60	54	38	38	26	M8	8.5	50	37	240	23	38	9.5	41.5	9.5	19	74	3.5	58	19	7000	600
GN 851-160-T-NI	12	26	28	21	20	14	M ₄	4.3	26	18	98	11	19	5	16	5	10	37	2	25	6	1600	71
GN 851-320-T-NI	16	40	44	32	28	22	M ₆	6.5	30	25	152	19	32	10.5	19	7	14	57	3	48	8.5	3200	225
GN 851-700-T-NI	24	60	54	38	38	26	M ₈	8.5	50	37	240	23	38	9.5	41.5	9.5	19	74	3.5	58	19	7000	515



STANDARD MACHINE ELEMENTS WORLDWIDE