

Hook type toggle clamps

for pulling action

SPECIFICATION

Types

- Type **T**: with draw axle
- Type **TF**: with draw hook

Parts in sheet metal
Case-hardened Steel C10
zinc plated, blue passivated

Draw hook
Steel St 37
zinc plated, blue passivated

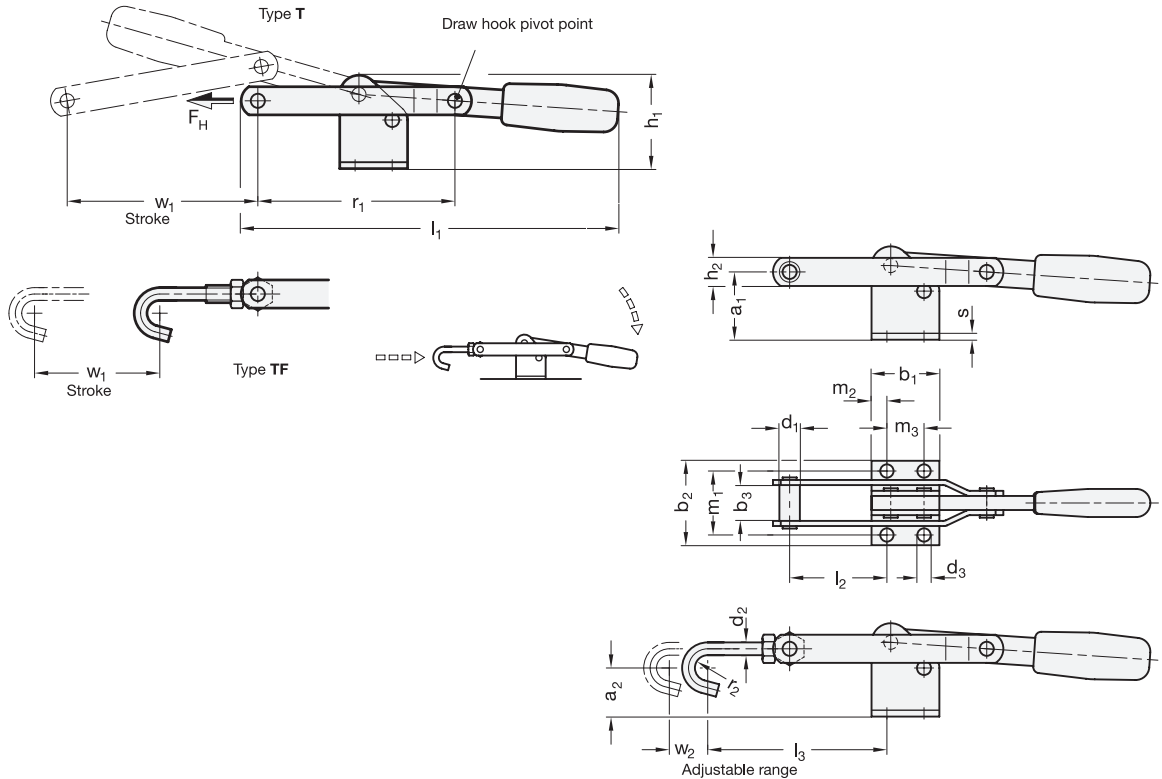
All moving parts
lubricated with special grease

Hand grip
High quality, oil resistant red plastic

INFORMATION

The draw hook of the GN 850 hook type toggle clamps can be adjusted within the stroke.

- General information for toggle clamps (see page 1560)



GN 850

Description	Size	FH in N	a1	a2	b1	b2	b3	d1	d2	d3	h1 ≈	h2	l1 ≈	l2 ≈	l3 ≈	m1	m2	m3	r1 ≈	r2	s	w1	w2 ≈	△
GN 850-200-T	200	2000	37	-	35	45	18	10	-	6.5	49	16	202	51	-	32	8	19	102	-	3	100	-	300
GN 850-300-T	300	3000	35	-	48	60	21	10	-	8.5	49	18	225	51	-	45	8	32	105	-	3	104	-	460
GN 850-400-T	400	4000	43	-	54	84	26	14	-	10.5	60.5	25	278	58	-	60	12.5	28.5	138	-	5	160	-	1000
GN 850-200-TF	200	2000	37	29	35	45	18	10	8	6.5	49	16	202	51	93	32	8	19	102	5	3	100	20	370
GN 850-300-TF	300	3000	35	25	48	60	21	10	10	8.5	49	18	225	51	98	45	8	32	105	6	3	104	20	560
GN 850-400-TF	400	4000	43	30	54	84	26	14	12	10.5	60.5	25	278	58	117.5	60	12.5	28.5	138	7	5	160	20	1200

