

GN 843.1-NI

Plunger clamps

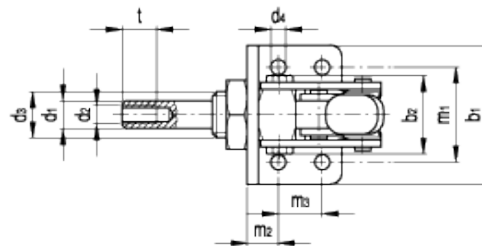
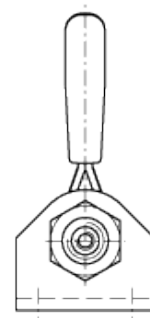
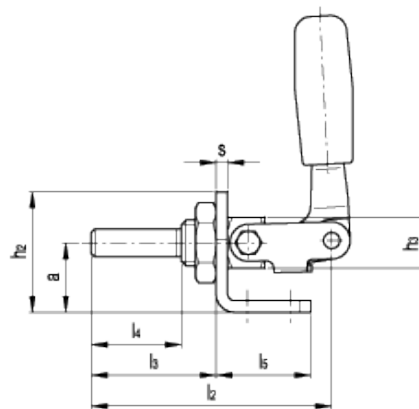
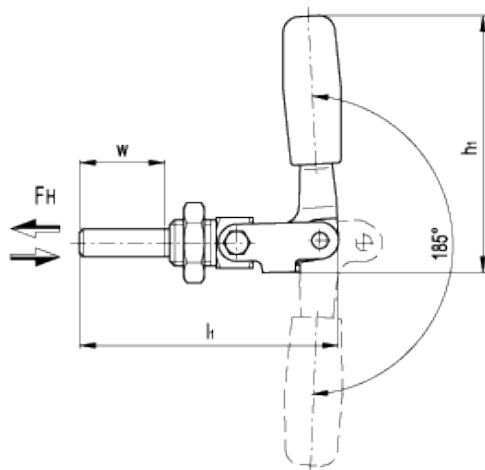


INOX
Stainless Steel



GN 843.1-AS

GN 843.1-ASW



technical informations

Sheet metal parts

AISI 304 stainless steel.

- Execution AS: without mounting bracket.
- Execution ASW: with mounting bracket.

Other parts

AISI 305 stainless steel.

Handle

Oil resistant, solid plastic, red colour.

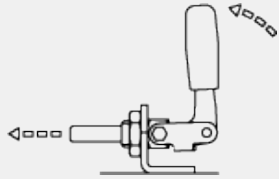
Features and applications

All moving parts are lubricated with a special grease.

Plunger clamps GN 843.1-NI can be mounted on a mounting bracket (Execution ASW) or directly on the jig.

The centre bush fixing method allows the operating handle to be turned into the most favourable position.

Plunger clamps GN 843.1-NI replace the standard GN 843.



Standard Elements	Main dimensions																				Stroke	Holding force	Weight
Description	a	b ₁	b ₂	d ₁	d ₂	d ₃	d ₄	h ₁	h ₂	h ₃	l ₁	l ₂	l ₃	l ₄	l ₅	m ₁	m ₂	m ₃	s	t	w	FH [N]	g
GN 843.1-80-AS-NI	-	-	30	10	M6	M16x1.5	-	70	-	19	71	65	34	22	-	-	-	-	-	12	21	3000	132
GN 843.1-165-AS-NI	-	-	35	12	M8	M20x1.5	-	110	-	22	113	105	54	39	-	-	-	-	-	15	38	5400	331
GN 843.1-340-AS-NI	-	-	47.6	16	M10	M24x2	-	145	-	30	173	162	85	68	-	-	-	-	-	18	66	7000	841
GN 843.1-80-ASW-NI	24	35	30	10	M6	M16x1.5	5.5	70	38.5	19	71	65	34	22	22	20	12	-	4	12	21	3000	178
GN 843.1-165-ASW-NI	32	60	35	12	M8	M20x1.5	6.5	110	50	22	113	105	54	39	41	41	13.5	19	5	15	38	5400	483
GN 843.1-340-ASW-NI	48	75	47.6	16	M10	M24x2	8.5	145	70	30	173	162	85	68	59	55	19	25	5	18	66	7000	1121



ELESA and GANTER models all rights reserved in accordance with the law. Always mention the source when reproducing our drawings.

STANDARD MACHINE ELEMENTS WORLDWIDE