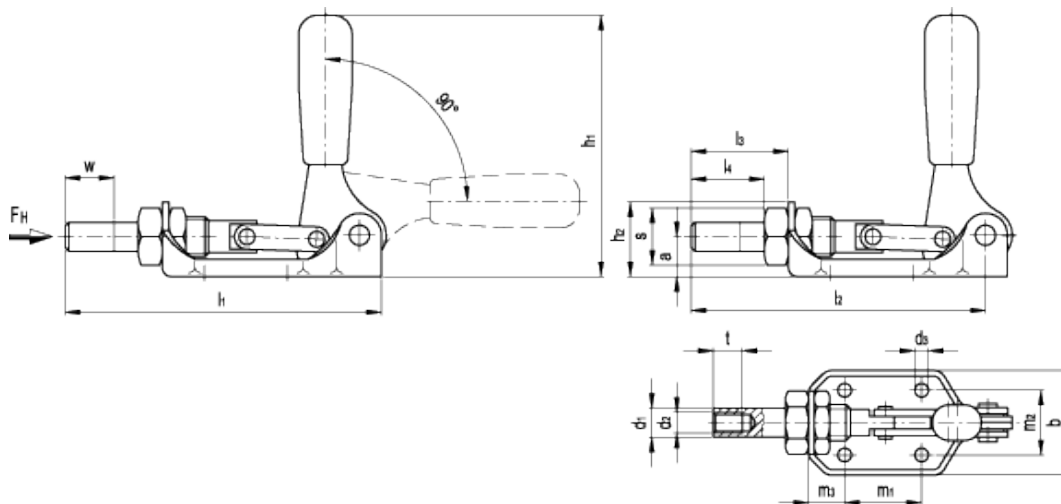


# GN 841

Plunger clamps for push-on clamping



## technical informations

### Sheet body and metal parts

Zinc-plated case-hardened steel C10, blue passivated.

### Plunger

Zinc-plated steel, blue passivated.

### Guide bush

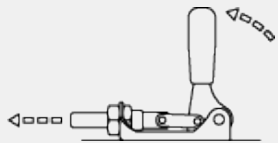
Zinc-plated brass, blue passivated.

### Handle

Oil-resistant, solid plastic, red colour.

### Features

All moving parts are lubricated with special grease.



Standard Elements	Main dimensions																Stroke	Holding force	Weight
Description	a	b	d <sub>1</sub>	d <sub>2</sub>	d <sub>3</sub>	h <sub>1</sub>	h <sub>2</sub>	l <sub>1</sub>	l <sub>2</sub>	l <sub>3</sub>	l <sub>4</sub>	m <sub>1</sub>	m <sub>2</sub>	m <sub>3</sub>	s	t	w	FH [N]	g
GN 841-120-AS	17	48	12	M6	5.5	113	31	130	121	40	30	34	30	17	24	12	20	3600	330
GN 841-300-AS	20	58	14	M8	6.5	140	36	167	155	57	45	50	34	18	27	16	34	7200	600



STANDARD MACHINE ELEMENTS WORLDWIDE