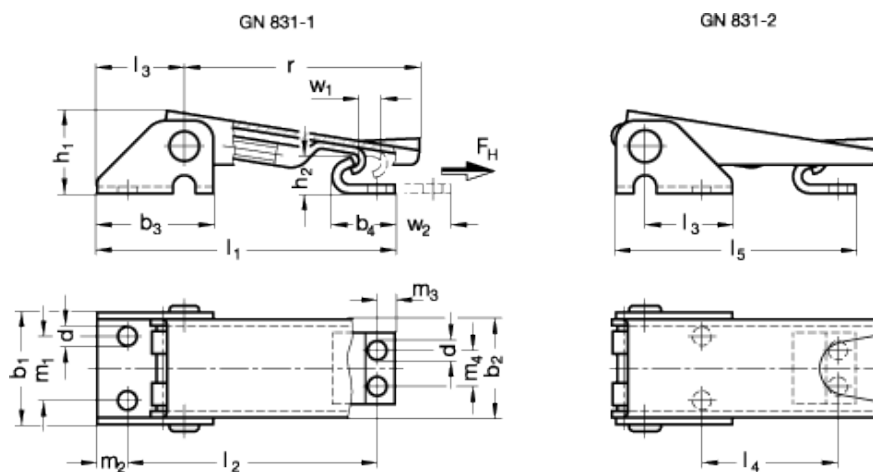


GN 831-NI

Hook clamps



INOX
Stainless Steel



technical informations

Material

AISI 304 stainless steel body.

- Version A: without safety catch.
- Version S: with self-locking safety catch.
- Version SV: for safety with padlock.

Clamping hook and pin

AISI 303 stainless steel.

Features and applications

GN 831 hook clamps are used for the secure holding of flaps, container lids, etc. The clamping action locks securely on the centre and thus they are vibration proof. The self-locking safety catch avoids any undesired releases of the toggle clamp. The load values specified in the here-under table are simply guideline values for a nominal static pulling force which the hook can bear. The pulling force can be adversely affected according to the conditions under which the hook lock clamps are used (vibrations, shock loads, etc).

Stainless steel, thanks to its high resistance to corrosion, allows the application of these hook clamps on machines and equipment in those sectors where laws or particular hygienic, climatic and environmental factors make it mandatory to use corrosion resistant materials.

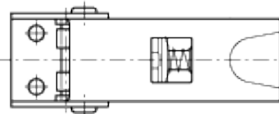
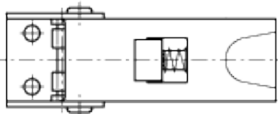
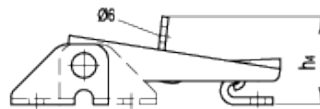
GN 831-A



GN 831-S



GN 831-SV



Standard Elements	Main dimensions																			Stroke	Adjustable range	Holding force	Weight
Description	b ₁	b ₂	b ₃	b ₄	d	h ₁	h ₂	h ₃	h ₄	l ₁ min.	l ₂ min.	l ₃	l ₄ min.	l ₅ min.	m ₁	m ₂	m ₃	m ₄	r	w ₁ ≈	w ₂ ≈	FH [N]	g
GN 831-100-A-NI-*	25.5	22	26	14	4.2	18.5	8.5	21.5	25.5	67	56	19.5	31	54	14.3	7	4	8	51	5.5	12	1000	52
GN 831-100-S-NI-*	25.5	22	26	14	4.2	18.5	8.5	21.5	25.5	74	63	19.5	38	61	14.3	7	4	8	51	5.5	8	1000	56
GN 831-100-SV-NI-*	25.5	22	26	14	4.2	18.5	8.5	21.5	25.5	67	56	19.5	31	54	14.3	7	4	8	51	5.5	12	1000	55

* Complete the description of the standard item needed by adding 1 (for long type) or 2 (for short type).



STANDARD MACHINE ELEMENTS WORLDWIDE