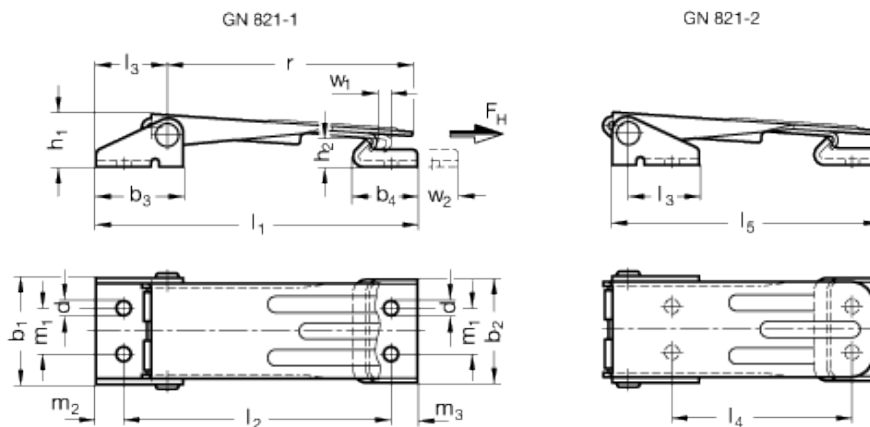


GN 821

Hook clamps



technical informations

Material

Zinc-plated steel, blue passivated.

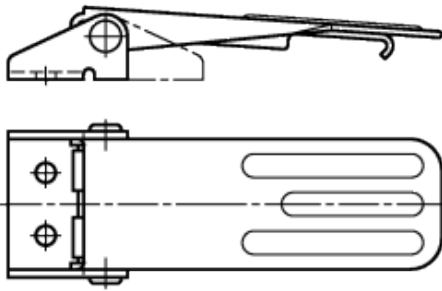
- Version A: without safety catch.
- Version S: with safety catch.
- Version SV: for safety with padlock.
- Version SS: with lock.

Features and applications

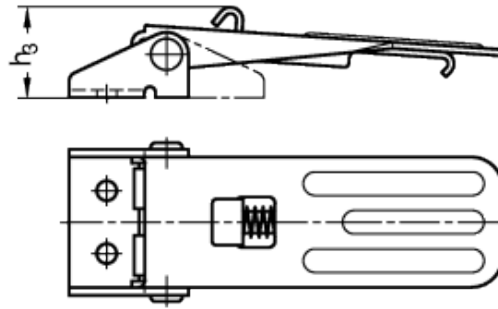
GN 821 hook clamps are used for the secure holding of flaps, container lids etc. The clamping action locks securely on the centre and thus they are vibration proof.

The load values specified in the here-under table are simply guideline values for a nominal static pulling force which the hook can bear. The pulling force can be adversely affected according to the conditions under which the hook lock clamps are used (vibrations, shock loads, etc.)

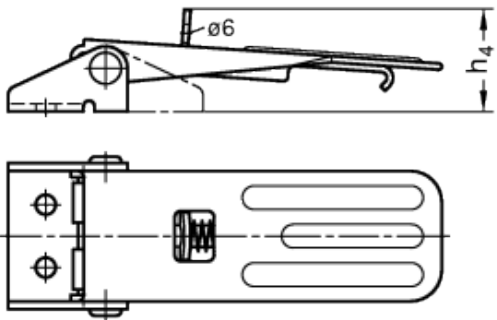
GN 821-A



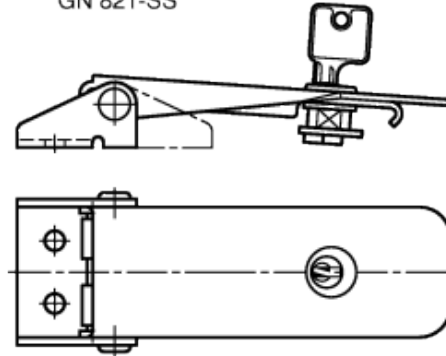
GN 821-S



GN 821-SV



GN 821-SS



Standard Elements	Main dimensions																	Stroke	Adjustable range	Holding force	Weight	
	Description	b ₁	b ₂	b ₃	b ₄	d	h ₁	h ₂	h ₃	h ₄	l ₁ min.	l ₂ min.	l ₃	l ₄ min.	l ₅ min.	m ₁	m ₂					m ₃
GN 821-400-A-ST-*	46.5	45	38	27	6.3	22	12	28.5	32.5	144	120.5	32	80.5	118	20	12	11.5	107.5	6.5	15	4000	19C
GN 821-400-S-ST-*	46.5	45	38	27	6.3	22	12	28.5	32.5	147	123.5	32	83.5	121	20	12	11.5	107.5	6.5	8	4000	22C
GN 821-400-SV-ST-*	46.5	45	38	27	6.3	22	12	28.5	32.5	144	120.5	32	80.5	118	20	12	11.5	107.5	6.5	15	4000	22C
GN 821-400-SS-ST-*	46.5	45	38	27	6.3	22	12	28.5	32.5	147	123.5	32	83.5	121	20	12	11.5	107.5	6.5	8	4000	24C

* Complete the description of the standard item needed by adding 1 (for long type) or 2 (for short type).



STANDARD MACHINE ELEMENTS WORLDWIDE