

# GN 817.1-RT

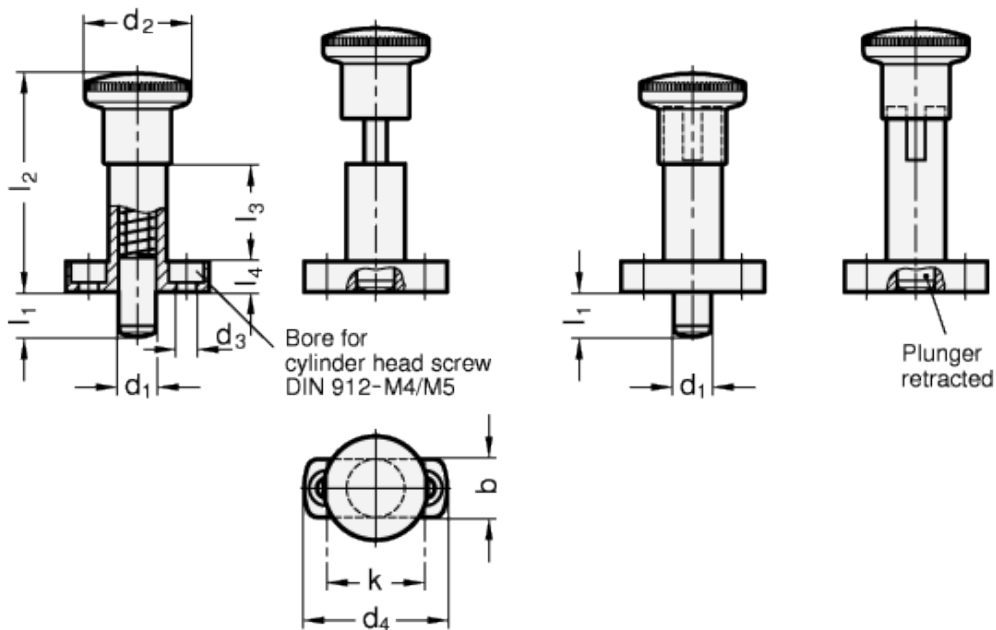
Indexing plungers



Type B

Type C

(Knob rotated by 90°)



technical informations

## Specification

Types

- Type B: without rest position
- Type C: with rest position

Guide

Zinc die casting

plastic coated

black, textured finish

Pin  
Stainless Steel  
- AISI 303

Knob Plastic  
Technopolymer (Polyamide PA)  
- red RT RAL 3000  
add RT on order code  
- not removable

### Information

Indexing plungers GN 817.1 (Type C) are used for such applications where the plunger has to stay in its retracted position. To achieve this, the knob is rotated by 90° degrees after being retracted. A notch keeps the plunger in this position.

### On request

- Indexing plungers with T-Handle

Standard Elements	Main dimensions													Weight
Description	$d_1$ Pin -0.02/-0.04 / Bore +0.10/+0.03	$l_1$	$b$	$d_2$	$d_3$	$d_4$	$k$	$l_2$	$l_3$	$l_4$	initial	end	$g$	
GN 817.1-6-6-B-RT	6	6	13	23	4.3	34	22	48	22	6	6.5	19	-	
GN 817.1-6-9-B-RT	6	9	13	23	4.3	34	22	48	22	6	6	25	-	
GN 817.1-8-8-B-RT	8	8	16	28	5.3	38	26	58	26	8	8.5	26	-	
GN 817.1-8-12-B-RT	8	12	16	28	5.3	38	26	58	26	8	8.5	28	-	
GN 817.1-10-12-B-RT	10	12	16	28	5.3	38	26	58	26	8	9.5	38	-	
GN 817.1-6-6-B-RT	6	6	13	23	4.3	34	22	48	22	6	6.5	19	-	
GN 817.1-6-9-C-RT	6	9	13	23	4.3	34	22	48	22	6	6	25	-	
GN 817.1-8-8-C-RT	8	8	16	28	5.3	38	26	58	26	8	8.5	26	-	
GN 817.1-8-12-C-RT	8	12	16	28	5.3	38	26	58	26	8	8.5	28	-	
GN 817.1-10-12-C-RT	10	12	16	28	5.3	38	26	58	26	8	9.5	38	-	



STANDARD MACHINE ELEMENTS WORLDWIDE