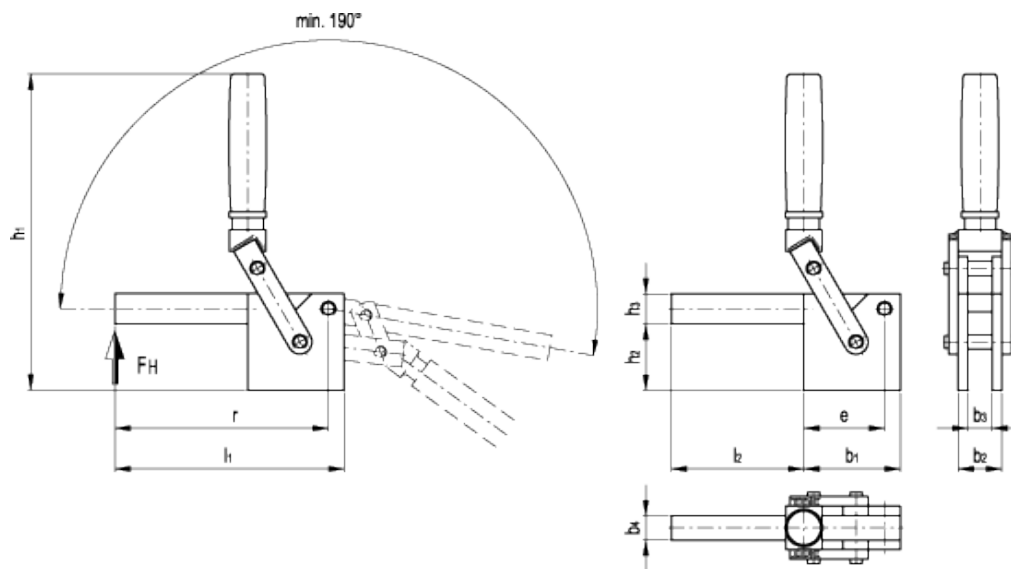


# GN 813

Vertical clamps - heavy duty type



## technical informations

### Clamping arm

Zinc-plated weldable steel, blue passivated.

### Bearing pin and bearing rivet

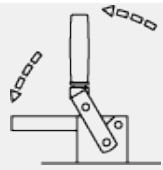
Case-hardened steel.

### Handle

Oil-resistant, solid plastic, red colour.

### Applications

GN 813 vertical clamps are used for applications where a very high holding force is required.



Standard Elements	Main dimensions											Holding force	Weight
Description	$b_1$	$b_2$	$b_3$	$b_4$	$e$	$h_1$	$h_2$	$h_3$	$l_1$	$l_2$	$r$	FH [N]	g
GN 813-1000-F	80	36	20	20	67	265	55	25	190	110	177	10000	2400
GN 813-2000-F	100	36	20	20	82	297	65	35	220	120	202	20000	3600
GN 813-3000-F	110	45	25	25	90	320	80	40	250	140	230	30000	5700



STANDARD MACHINE ELEMENTS WORLDWIDE