

GN 812

Vertical acting toggle clamps

with dual flanged mounting base



Specification

Types

- Type **AV**: U-bar version, with two flanged washers
- Type **CV**: U-bar version, with two flanged washers and GN 708.1 Spindle Assembly
- Type **EV**: Solid bar version, with clasp

Parts in sheet metal

Case hardening steel C10

zinc plated, blue passivated

Bearing pins tempered

Bearing rivets case-hardened

all moving parts

lubricated with special grease

Hand grip

High quality, oil resistant red plastic

Spindle assembly GN 708.1 (Type A)

- steel, zinc plated
- Rubber tip 85 Shore A

Information

GN 812 vertical acting toggle clamps work according to the toggle principle: lever and clamping bar move in the same direction. They can be mounted in two planes via the dual flanged mounting base and require less space for the clamping action because the clamping arm and the operating lever move in opposite directions.

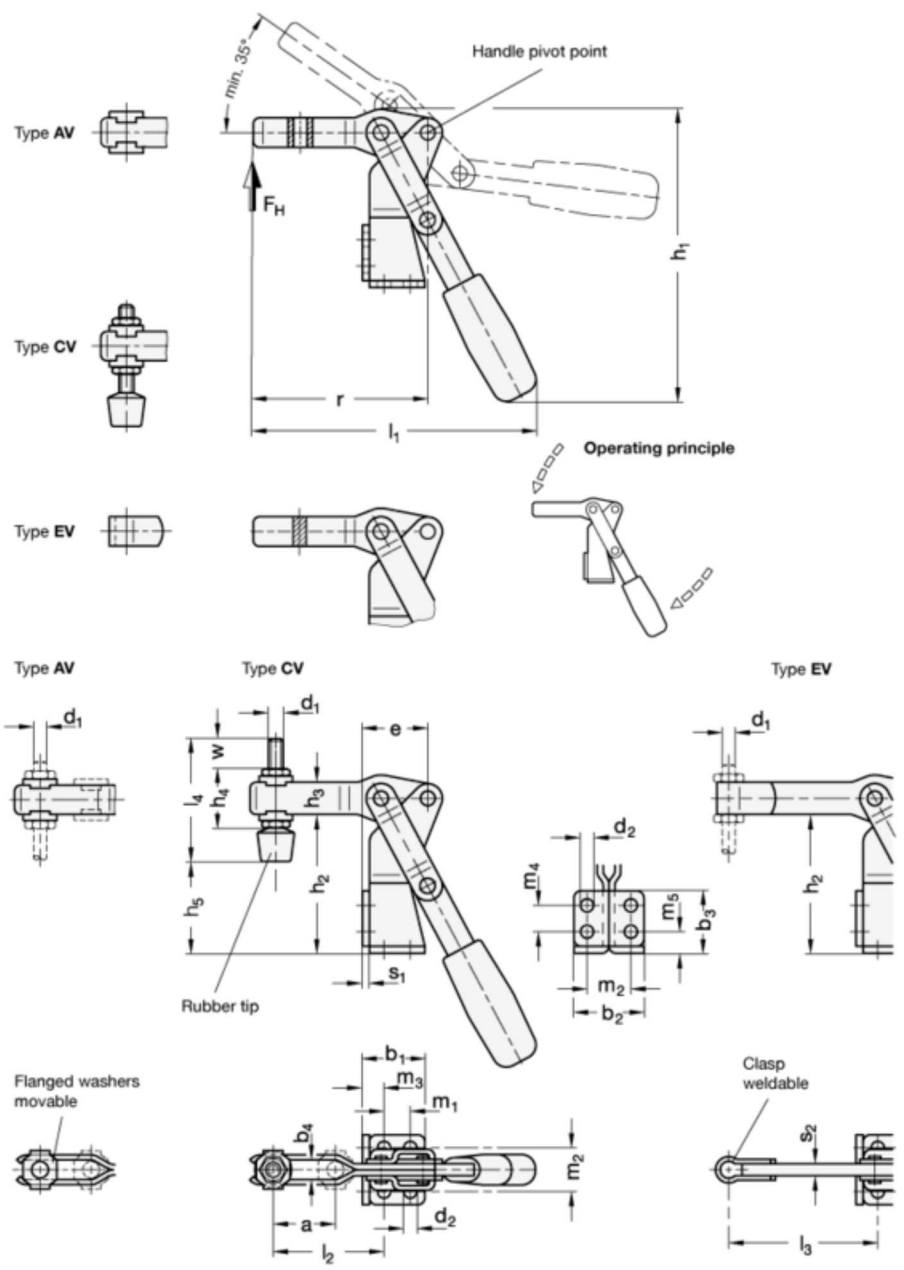
Vertical acting toggle clamps in the U-bar version with two flanged washers (Type AV) can accommodate an application specific clamping screw. A spindle assembly with neoprene rubber tip is also included for Type CV.

Type EV version can either be utilized by welding the clasp which can then accommodate an application specific hold-down fastener component, or by utilizing the bar in conjunction with the GN 809 Clamp Mounts to hold the work piece in place.

Accessory

Spindle assemblies

- GN 801 Clamp Mounts for Toggle Clamps (for Type AV)
- GN 809 Clamp Mounts for Toggle Clamps (for Type EV)



Description	Size	F _H in N	a ≈	b ₁	b ₂	b ₃	b ₄	d ₁	d ₂	e	h ₁ ≈	h ₂	h ₃	h ₄	h ₅	l ₁ ≈	l ₂ ≈	l ₃ max.	l ₄	m ₁	m ₂	m ₃	m ₄	m ₅	r ≈	s ₁	s ₂	w	Weight
GN 812-200-AV	200	1200	34	35	38	35	8.5	M 8	6.5	37	154	76	17	-	-	158	59	-	-	16	26	11	16	11	97	3	-	-	420
GN 812-300-AV	300	1900	42	48	48	51	10.4	M 10	8.5	46	198	108	20	-	-	194	74	-	-	28	30	11.5	30	12	122	3	-	-	800
GN 812-200-CV	200	1200	34	35	38	35	8.5	M 8	6.5	37	154	76	17	34	52	158	59	-	68	16	26	11	16	11	97	3	-	21	480
GN 812-300-CV	300	1900	42	48	48	51	10.4	M 10	8.5	46	198	108	20	41	79.5	194	74	-	77	28	30	11.5	30	12	122	3	-	21	880
GN 812-200-EV	200	1200	-	35	38	35	8.5	M 8	6.5	37	154	76	17	-	-	158	-	76	-	16	26	11	16	11	97	3	6	-	420
GN 812-300-EV	300	1900	-	48	48	51	10.4	M 10	8.5	46	198	108	20	-	-	194	-	95	-	28	30	11.5	30	12	122	3	8	-	800