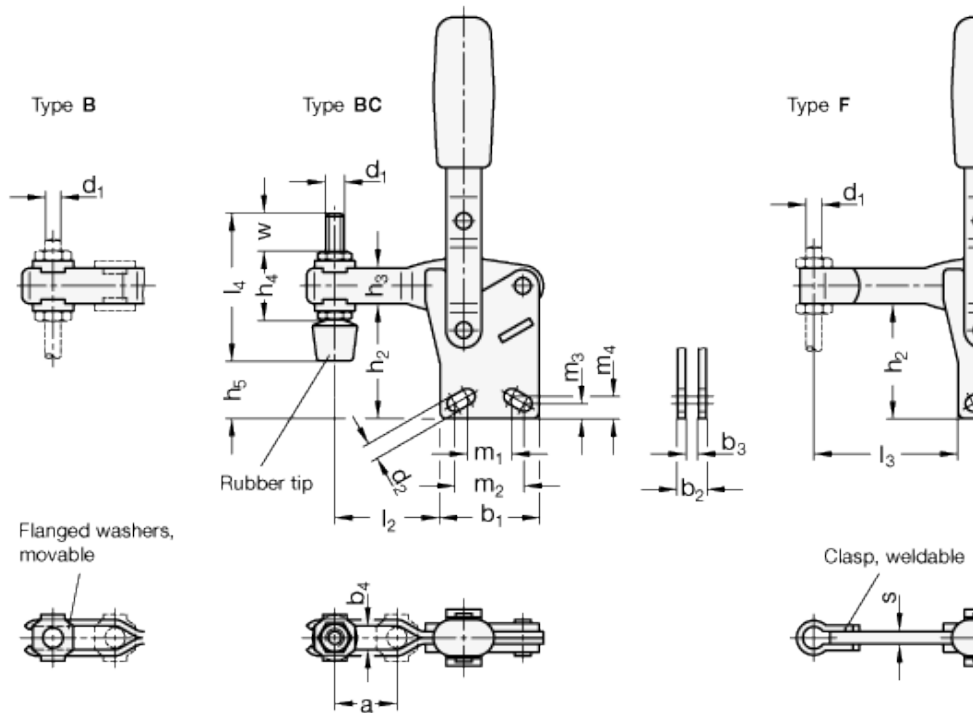
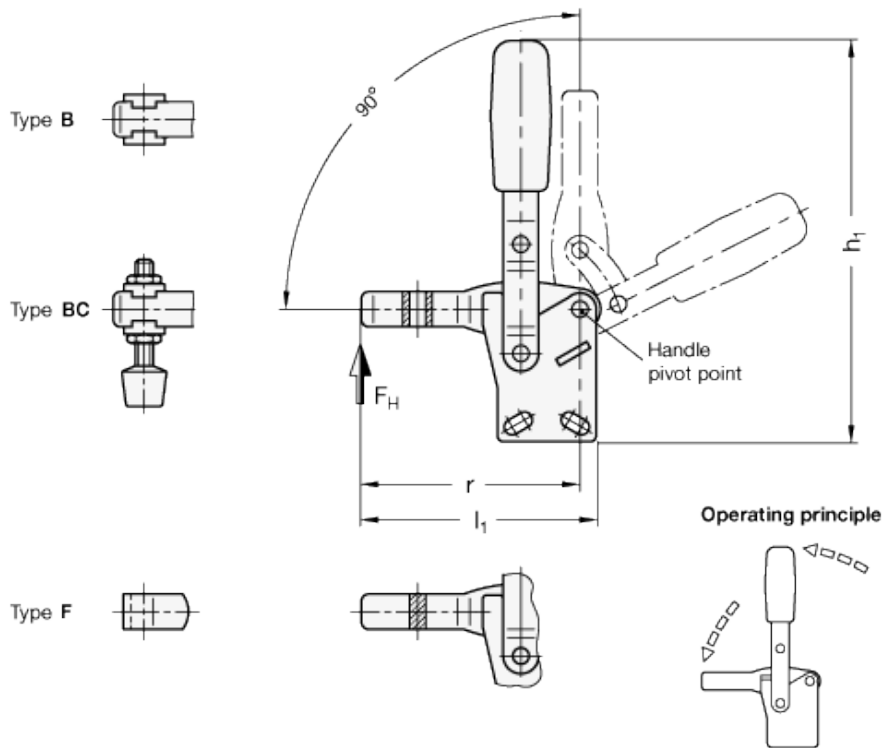


# GN 810.1-NI

Vertical clamps with vertical base





technical informations

### Specificaiton

Types

- Type B: U-bar Version, with two flanged washers
- Type BC: U-bar Version, with two flanged washers and GN 708.1 spindle assembly
- Type F: Solid bar Version, with clasp

Stainless Steel NI  
AISI 304

All moving parts  
lubricated with Special grease

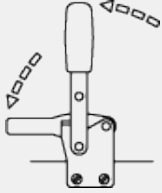
Spindle assembly GN 708.1 (Type A)  
 - Stainless Steel AISI 304  
 - Rubber tip 85 Shore A

**Information**

GN 810.1 vertical acting toggle clamps work according to the toggle principle: lever and clamping bar move in the same direction. In the clamped position the operating lever is in its vertical position. Vertical acting toggle clamps in the U-bar version with two flanged washers (Type B) can accommodate an application specific clamping screw. A spindle assembly with neoprene rubber tip is also included for Type BC.

**Accessory**

- Spindle assemblies
- GN 801 Clamp Mounts for Toggle Clamps (for Type B)
- GN 809 Clamp Mounts for Toogle Clamps (for Type F)



Standard Elements	Main dimensions																				Holding force	Weight			
Description	a ≈	b <sub>1</sub>	b <sub>2</sub>	b <sub>3</sub>	b <sub>4</sub>	d <sub>1</sub>	d <sub>2</sub> ≈	h <sub>1</sub> ≈	h <sub>2</sub>	h <sub>3</sub>	h <sub>4</sub>	h <sub>5</sub> max.	l <sub>1</sub> ≈	l <sub>2</sub> ≈	l <sub>3</sub> max.	l <sub>4</sub>	m <sub>1</sub>	m <sub>2</sub>	m <sub>3</sub>	m <sub>4</sub>	r ≈	s	w	FH [N]	g
GN 810.1-75-B-NI	20	29	8	4	5.2	M5	4.5	109	32	11	-	-	66.5	31.5	-	-	15	16	5	5	62.5	-	-	750	95
GN 810.1-130-B-NI	28	35	10	5	6.2	M6	5.5	156	42.5	16	-	-	85	42	-	-	12.5	19	6.5	7.5	79	-	-	1050	210
GN 810.1-230-B-NI	40	43	12	6	8.5	M8	6.5	183	48	18	-	-	112	112	-	-	20	20	6.5	6.5	104	-	-	2000	350
GN 810.1-75-BC-NI	20	29	8	4	5.2	M5	4.5	109	32	11	19	17	66.5	31.5	-	45	15	16	5	5	62.5	-	-	750	95
GN 810.1-130-BC-NI	28	35	10	5	6.2	M6	5.5	156	42.5	16	25.5	25	85	42	-	55	12.5	19	6.5	7.5	79	-	-	1020	210
GN 810.1-230-BC-NI	40	43	12	6	8.5	M8	6.5	172	46	18	30	24	112	70	-	68	20	20	6.5	6.5	104	-	-	2000	350
GN 810.1-75-F-NI	-	29	8	4	-	M5	4.5	109	32	11	-	-	67	-	41	-	15	16	5	5	62.5	4	15	750	95
GN 810.1-130-F-NI	-	35	10	5	-	M6	5.5	156	42.5	16	-	-	86	-	54	-	12.5	19	6.5	7.5	79	5	17.5	1050	210
GN 810.1-230-F-NI	-	43	12	6	-	M8	6.5	183	48	18	-	-	112	-	73	-	19	20	6.5	6.5	104	6	20	2400	550



STANDARD MACHINE ELEMENTS WORLDWIDE