



GN 810.1

Vertical acting toggle clamps

Steel / Stainless Steel, with vertical mounting base



Specification

Types

- Type **B**: U-bar version, with two flanged washers
- Type **BC**: U-bar version, with two flanged washers and GN 708.1 Spindle Assembly
- Type **F**: Solid bar version, with clasp

Version in Steel

- Case-hardened Steel C10 zinc plated, blue passivated
- Bearing pins tempered
- Bearing rivets (for size 230 and up) case-hardened

all moving parts

lubricated with special grease

Hand grip

High quality, oil resistant red plastic

Spindle assembly GN 708,1 (Type A)

- steel, zinc plated
- Rubber tip 85 Shore A

Version in Stainless Steel

Stainless Steel AISI 304 **NI**

all moving parts

lubricated with special grease

Hand grip

High quality, oil resistant red plastic

Spindle assembly GN 708.1 (Type A)

- Stainless Steel, AISI 304
- Rubber tip 85 Shore A

Information

GN 810.1 vertical acting toggle clamps work according to the toggle principle: lever and clamping bar move in the same direction. In the clamped position the operating lever is in its vertical position.

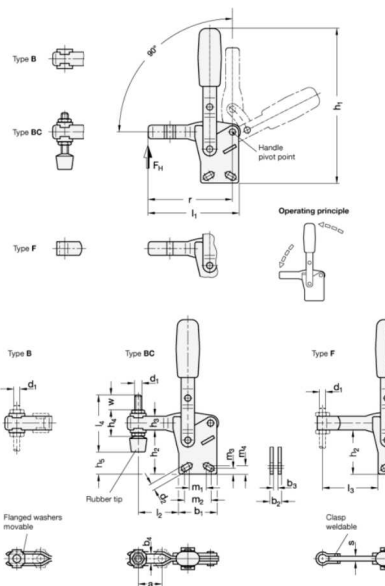
Vertical acting toggle clamps in the U-bar version with two flanged washers (Type B) can accommodate an application specific clamping screw. A spindle assembly with neoprene rubber tip is also included for Type BC.

- [General information to toggle clamps](#)
- Vertical acting toggle clamps [GN 810](#)
- Vertical clamps [GN 910](#)

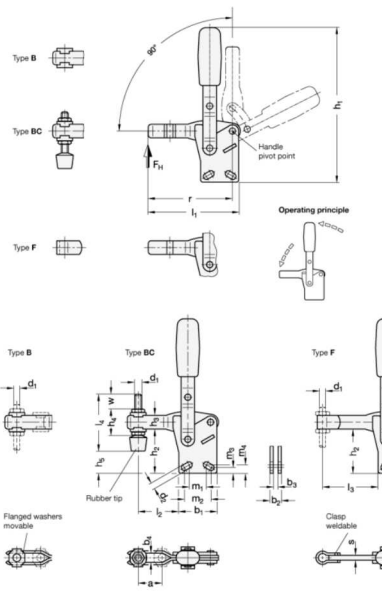
Accessory

Spindle assemblies

- GN 801 Clamp Mounts for Toggle Clamps (for Type B)
- GN 809 Clamp Mounts for Toggle Clamps (for Type F)



Description	Size	F_H in N	$a \approx$	b_1	b_2	b_3	b_4	d_1	$d_2 \approx$	$h_1 \approx$	h_2	h_3	s	w	Weight
GN 810.1-75-B	75	750	20	29	8	4	5.2	M 5	4.5	109	32	11	-	-	100
GN 810.1-130-B	130	1050	28	35	10	5	6.2	M 6	5.5	156	42.5	16	-	-	228
GN 810.1-230-B	230	2000	40	43	12	6	8.5	M 8	6.5	183	48	18	-	-	387
GN 810.1-330-B	330	2400	43	50	14	7	10.5	M 10	8.5	218	66.5	22	-	-	600
GN 810.1-430-B	430	2800	64	58	18	10	12.5	M 12	8.5	268	77.5	26	-	-	1140
GN 810.1-530-B	530	4500	90	77	18	10	12.5	M 12	12.5	337	117.5	32	-	-	220
GN 810.1-75-BC	75	750	20	29	8	4	5.2	M 5	4.5	109	32	11	-	15	0
GN 810.1-130-BC	130	1050	28	35	10	5	6.2	M 6	5.5	156	42.5	16	-	17.5	200
GN 810.1-230-BC	230	2000	40	43	12	6	8.5	M 8	6.5	183	48	18	-	20	0
GN 810.1-330-BC	330	2400	43	50	14	7	10.5	M 10	8.5	218	66.5	22	-	19	0
GN 810.1-430-BC	430	2800	64	58	18	10	12.5	M 12	8.5	268	77.5	26	-	33	1200
GN 810.1-530-BC	530	4500	90	77	18	10	12.5	M 12	12.5	337	117.5	32	-	27	0
GN 810.1-75-F	75	750	-	29	8	4	-	M 5	4.5	109	32	11	4	-	102
GN 810.1-130-F	130	1050	-	35	10	5	-	M 6	5.5	156	42.5	16	5	-	234
GN 810.1-230-F	230	2000	-	43	12	6	-	M 8	6.5	183	48	18	6	-	400
GN 810.1-330-F	330	2400	-	50	14	7	-	M 10	8.5	218	66.5	22	7	-	620
GN 810.1-430-F	430	2800	-	58	18	10	-	M 12	8.5	268	77.5	26	10	-	1100
GN 810.1-530-F	530	4500	-	77	18	10	-	M 12	12.5	337	117.5	32	10	-	1900



Description	Size	F _H in N	a ≈	b ₁	b ₂	b ₃	b ₄	d ₁	d ₂ ≈	h ₁ ≈	h ₂	h ₃	s	w	Weight
GN 810.1-75-B-NI	75	750	20	29	8	4	5.2	M 5	4.5	109	32	11	-	-	97
GN 810.1-130-B-NI	130	1050	28	35	10	5	6.2	M 6	5.5	156	42.5	16	-	-	228
GN 810.1-230-B-NI	230	2000	40	43	12	6	8.5	M 8	6.5	183	48	18	-	-	379
GN 810.1-75-BC-NI	75	750	20	29	8	4	5.2	M 5	4.5	109	32	11	-	15	0
GN 810.1-130-BC-NI	130	1050	28	35	10	5	6.2	M 6	5.5	156	42.5	16	-	17.5	0
GN 810.1-230-BC-NI	230	2000	40	43	12	6	8.5	M 8	6.5	183	48	18	-	20	0
GN 810.1-75-F-NI	75	750	-	29	8	4	-	M 5	4.5	109	32	11	4	-	100
GN 810.1-130-F-NI	130	1050	-	35	10	5	-	M 6	5.5	156	42.5	16	5	-	235
GN 810.1-230-F-NI	230	2000	-	43	12	6	-	M 8	6.5	183	48	18	6	-	390