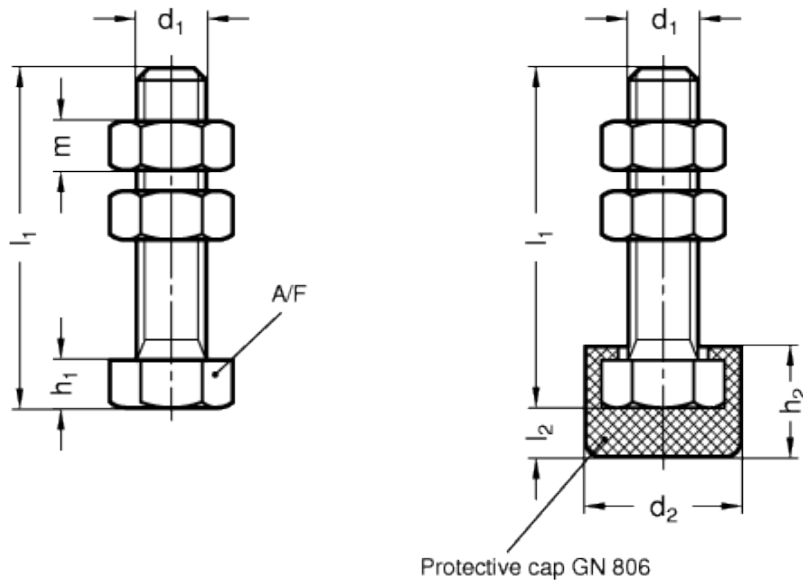


GN 807-NI

Clamping bolts



INOX
Stainless Steel



technical informations

Material

AISI 304 stainless steel.

- Version A: without protective cap.
- Version B: with DIN 806 protective cap.

Hexagon nuts

AISI 304 stainless steel.

Features and applications

AISI 304 stainless steel, thanks to its high resistance to corrosion, allows the application of these clamping bolts on machines and equipment in those sectors where laws or particular hygienic, climatic and environmental factors make it mandatory to use corrosion resistant materials.

Standard Elements	Main dimensions								Weight
Description	d ₁	l ₁	d ₂	h ₁	h ₂	l ₂	m	sw	g
GN 807-M4-23-A-NI	M4	23	-	3	-	-	3.2	7	5
GN 807-M5-38-A-NI	M5	38	-	3.5	-	-	4.7	8	9
GN 807-M6-29-A-NI	M6	29	-	4	-	-	5.2	10	11
GN 807-M6-49-A-NI	M6	49	-	4	-	-	5.2	10	17
GN 807-M8-36-A-NI	M8	36	-	5.5	-	-	6.8	13	24
GN 807-M8-56-A-NI	M8	56	-	5.5	-	-	6.8	13	30
GN 807-M8-96-A-NI	M8	96	-	5.5	-	-	6.8	13	43
GN 807-M4-23-B-NI	M4	23	11	3	6.5	2.5	3.2	7	6
GN 807-M5-38-B-NI	M5	38	12.5	3.5	8	2.5	4.7	8	10
GN 807-M6-29-B-NI	M6	29	15	4	10	4	5.2	10	13
GN 807-M6-49-B-NI	M6	49	15	4	10	4	5.2	10	19
GN 807-M8-36-B-NI	M8	36	19	5.5	13	5.5	6.8	13	29
GN 807-M8-56-B-NI	M8	56	19	5.5	13	5.5	6.8	13	34
GN 807-M8-96-B-NI	M8	96	19	5.5	13	5.5	6.8	13	47



STANDARD MACHINE ELEMENTS WORLDWIDE