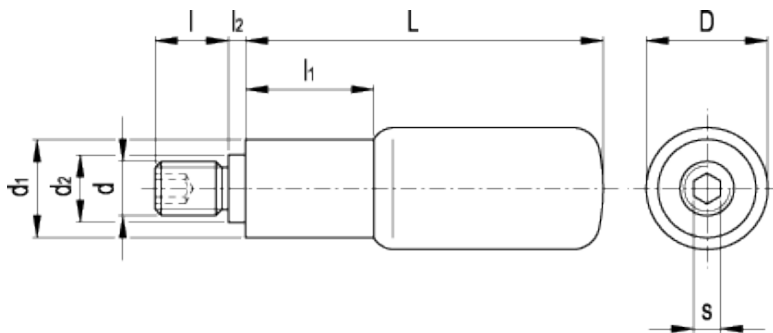


GN 798

Two-volume revolving handles



technical informations

Specification

Plastic KT

Technopolymer (Polyamide PA)

- temperature resistant up to 90 °C

- black, matt finish

Aluminium AL

polished

Spindle Steel

zinc plated, blue passivated

Information

Typical in design are the revolving handles GN 798 with their stepped shape consisting of two cylinders giving the Operator a better grip.

Standard Elements	Main dimensions						Threaded shank			Weight
Description	d ₁	d ₃	d ₄	l ₁	l ₃	l ₄	d ₂	l ₂	s	g
GN 798-AL-16-M6	16	10	13	41.5	2.5	15	M6	12	3	38
GN 798-KT-16-M6	16	10	13	41.5	2.5	15	M6	12	3	38
GN 798-AL-18-M6	18	10	14.5	56	2.5	19	M6	13	3	50
GN 798-KT-18-M6	18	10	14.5	56	2.5	19	M6	13	3	50

GN 798-AL-18-M8	18	10	14.5	56	2.5	19	M8	13	4	53
GN 798-KT-18-M8	18	10	14.5	56	2.5	19	M8	13	3	50
GN 798-AL-22-M6	22	14	18.5	59	2.5	21	M6	14	4	60
GN 798-KT-22-M6	22	14	18.5	59	2.5	21	M6	14	4	60
GN 798-AL-22-M8	22	14	18.5	59	2.5	21	M8	14	4	60
GN 798-KT-22-M8	22	14	18.5	59	2.5	21	M8	14	4	60
GN 798-AL-22-M10	22	14	18.5	59	2.5	21	M10	14	5	63
GN 798-KT-22-M10	22	14	18.5	59	2.5	21	M10	14	4	60
GN 798-AL-24-M8	24	14	18.5	74	2.5	27	M8	16	4	72
GN 798-KT-24-M8	24	14	18.5	74	2.5	27	M8	16	4	72
GN 798-AL-24-M10	24	14	18.5	74	2.5	27	M10	16	5	75
GN 798-KT-24-M10	24	14	18.5	74	2.5	27	M10	16	4	72
GN 798-AL-25-M10	25	16	20	84	2.5	30	M10	16	5	90
GN 798-KT-25-M10	25	16	20	84	2.5	30	M10	16	5	90



ELESA and GANTER models all rights reserved in accordance with the law. Always mention the source when reproducing our drawings.

STANDARD MACHINE ELEMENTS WORLDWIDE