

# GN 784.1

## Flanges

for mounting clamps with swivel ball joint GN 784



---

### Specification

Stainless Steel AISI 304  
matte, tumbled finish **MT**

Countersunk screw DIN 7991  
Stainless Steel AISI 304

Half-length tapered groove pin DIN 8745  
Stainless Steel AISI 304

---

### Information

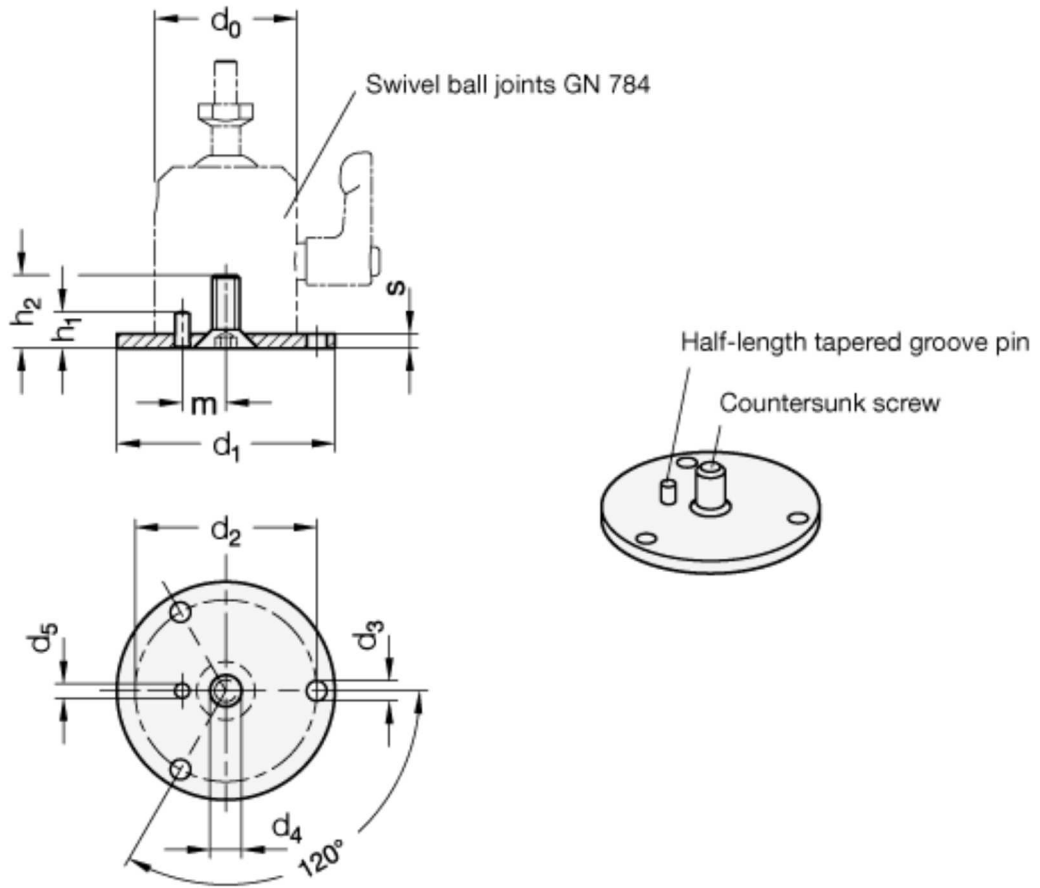
The GN 784.1 flanges are mounted from below onto the [GN 784](#) mounting clamps with swivel ball joint. A half-length tapered groove pin prevents any rotation. The flange enables the swivel ball joints to be mounted on the upper surface. The  $d_2$  section with the three  $d_3$  drill holes is configured so that standard screws with washers can be used.

The half-length tapered groove pin is mounted on the flange. The countersunk screw is included separately.

---

### Technical Information

- [Stainless Steel characteristics](#)



Description	d <sub>0</sub>	d <sub>1</sub>	d <sub>2</sub>	d <sub>3</sub>	d <sub>4</sub>	d <sub>5</sub>	h <sub>1</sub>	h <sub>2</sub>	m	s	Weight
<b>GN 784.1-42-MT</b>	23	42	32.5	4.5	M5	2	6	8.5	7	2.5	29
<b>GN 784.1-49-MT</b>	31	49	40	4.5	M6	3	6	10.5	9	3	46
<b>GN 784.1-60-MT</b>	39	60	50	5.5	M8	4	10	14.6	12	4	91
<b>GN 784.1-70-MT</b>	49	70	60	5.5	M8	4	10	14.6	16	4	122