

Guide Rollers

Plastic, with Ball Bearing

SPECIFICATION

Types

- Type **ZL**: Cylindrical
- Type **KV**: Convex

Identification no.

- No. **1**: With bore
- No. **2**: Stud with external thread
- No. **3**: Stud with internal thread

Outer race

Plastic, polyacetal (POM)

Operating temperature: -20 °C to 100 °C

Ball bearing

- Steel, 100Cr6, hardened
- Covered (cover disks 2Z)

Stud

Steel, zinc plated



INFORMATION

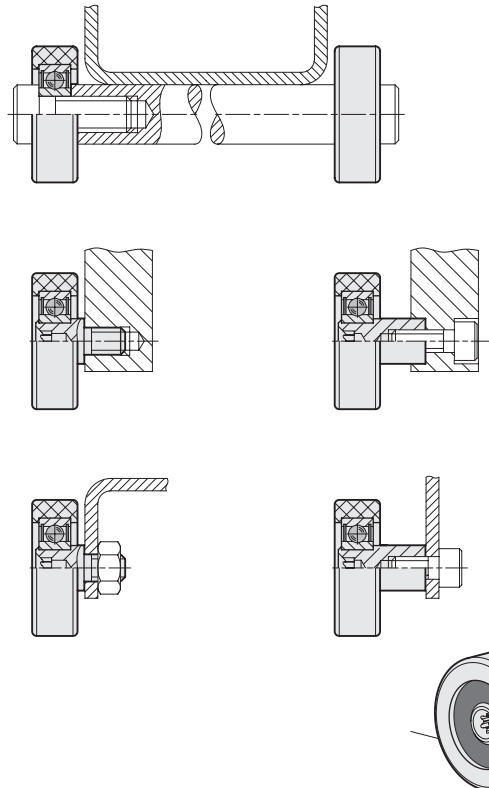
Guide rollers GN 753.1 can be used as guides, bearings or supports for small to medium loads. They can also be used to create custom linear guide rail systems.

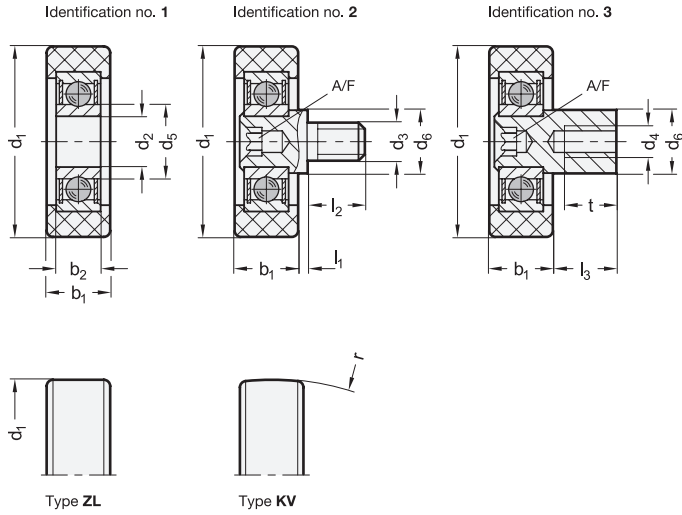
The radial load capacity rating given in the table should be understood as a guide value at which the guide rollers achieve a lifetime performance of at least 200,000 m. The conditions for achieving this lifetime performance are a speed of 0.4 m/s, a clean, dry, level, smooth and hard surface to roll against and an operating temperature between 15 °C and 30 °C. In general, the guide rollers should not be used under axial load.

TECHNICAL INFORMATION

- Plastic Characteristics (see page A2)

Application examples





GN 753.1-ZL

| Description | d1 -0.2 | d2 -0.02 | d3 | d4 | b1 -0.2 | b2 | d5 | d6 | l1 | l2 | l3 | A/F | t min. | Load capacity radial dynamic in N | |
|----------------------|------------|-------------|-----|-----|------------|----|------|----|-----|-----|----|-----|-----------|---|----|
| GN 753.1-22-B5-ZL-1 | 22 | B 5 | - | - | 7 | 5 | 8.5 | - | - | - | - | - | - | 400 | 6 |
| GN 753.1-22-M5-ZL-2 | 22 | - | M 5 | - | 7 | 5 | 8.5 | 9 | 1 | 7.5 | - | T10 | - | 400 | 9 |
| GN 753.1-22-M4-ZL-3 | 22 | - | - | M 4 | 7 | 5 | 8.5 | 9 | - | - | 9 | T10 | 7 | 400 | 11 |
| GN 753.1-25-B6-ZL-1 | 25 | B 6 | - | - | 8 | 6 | 10.5 | - | - | - | - | - | - | 600 | 10 |
| GN 753.1-25-M5-ZL-2 | 25 | - | M 5 | - | 8 | 6 | 10.5 | 10 | 1 | 7.5 | - | T15 | - | 600 | 14 |
| GN 753.1-25-M4-ZL-3 | 25 | - | - | M 4 | 8 | 6 | 10.5 | 10 | - | - | 9 | T15 | 8 | 600 | 17 |
| GN 753.1-30-B8-ZL-1 | 30 | B 8 | - | - | 10 | 7 | 12 | - | - | - | - | - | - | 800 | 17 |
| GN 753.1-30-M6-ZL-2 | 30 | - | M 6 | - | 10 | 7 | 12 | 12 | 1.5 | 9 | - | T25 | - | 800 | 23 |
| GN 753.1-30-M5-ZL-3 | 30 | - | - | M 5 | 10 | 7 | 12 | 12 | - | - | 9 | T25 | 10 | 800 | 28 |
| GN 753.1-35-B10-ZL-1 | 35 | B 10 | - | - | 10 | 8 | 14 | - | - | - | - | - | - | 1000 | 26 |
| GN 753.1-35-M8-ZL-2 | 35 | - | M 8 | - | 10 | 8 | 14 | 14 | 1.5 | 12 | - | T30 | - | 1000 | 37 |
| GN 753.1-35-M6-ZL-3 | 35 | - | - | M 6 | 10 | 8 | 14 | 14 | - | - | 12 | T30 | 12 | 1000 | 44 |
| GN 753.1-42-B10-ZL-1 | 42 | B 10 | - | - | 12 | 9 | 17 | - | - | - | - | - | - | 1200 | 44 |
| GN 753.1-42-M8-ZL-2 | 42 | - | M 8 | - | 12 | 9 | 17 | 14 | 1.5 | 12 | - | T30 | - | 1200 | 57 |
| GN 753.1-42-M6-ZL-3 | 42 | - | - | M 6 | 12 | 9 | 17 | 14 | - | - | 12 | T30 | 12 | 1200 | 64 |
| GN 753.1-50-B10-ZL-1 | 50 | B 10 | - | - | 14 | 11 | 19 | - | - | - | - | - | - | 1500 | 74 |
| GN 753.1-50-M8-ZL-2 | 50 | - | M 8 | - | 14 | 11 | 19 | 14 | 1.5 | 12 | - | T30 | - | 1500 | 89 |
| GN 753.1-50-M6-ZL-3 | 50 | - | - | M 6 | 14 | 11 | 19 | 14 | - | - | 12 | T30 | 12 | 1500 | 95 |

GN 753.1-KV

| Description | d1 -0.2 | d2 -0.02 | d3 | d4 | b1 -0.2 | b2 | d5 | d6 | l1 | l2 | l3 | r | A/F | t min. | Load capacity radial dynamic in N | |
|----------------------|------------|-------------|-----|-----|------------|----|------|----|-----|-----|----|-----|-----|-----------|---|----|
| GN 753.1-22-B5-KV-1 | 22 | B 5 | - | - | 7 | 5 | 8.5 | - | - | - | - | 55 | - | - | 400 | 6 |
| GN 753.1-22-M5-KV-2 | 22 | - | M 5 | - | 7 | 5 | 8.5 | 9 | 1 | 7.5 | - | 55 | T10 | - | 400 | 9 |
| GN 753.1-22-M4-KV-3 | 22 | - | - | M 4 | 7 | 5 | 8.5 | 9 | - | - | 9 | 55 | T10 | 7 | 400 | 11 |
| GN 753.1-25-B6-KV-1 | 25 | B 6 | - | - | 8 | 6 | 10.5 | - | - | - | - | 65 | - | - | 600 | 10 |
| GN 753.1-25-M5-KV-2 | 25 | - | M 5 | - | 8 | 6 | 10.5 | 10 | 1 | 7.5 | - | 65 | T15 | - | 600 | 14 |
| GN 753.1-25-M4-KV-3 | 25 | - | - | M 4 | 8 | 6 | 10.5 | 10 | - | - | 9 | 65 | T15 | 8 | 600 | 17 |
| GN 753.1-30-B8-KV-1 | 30 | B 8 | - | - | 10 | 7 | 12 | - | - | - | - | 75 | - | - | 800 | 17 |
| GN 753.1-30-M6-KV-2 | 30 | - | M 6 | - | 10 | 7 | 12 | 12 | 1.5 | 9 | - | 75 | T25 | - | 800 | 23 |
| GN 753.1-30-M5-KV-3 | 30 | - | - | M 5 | 10 | 7 | 12 | 12 | - | - | 9 | 75 | T25 | 10 | 800 | 28 |
| GN 753.1-35-B10-KV-1 | 35 | B 10 | - | - | 10 | 8 | 14 | - | - | - | - | 90 | - | - | 1000 | 26 |
| GN 753.1-35-M8-KV-2 | 35 | - | M 8 | - | 10 | 8 | 14 | 14 | 1.5 | 12 | - | 90 | T30 | - | 1000 | 37 |
| GN 753.1-35-M6-KV-3 | 35 | - | - | M 6 | 10 | 8 | 14 | 14 | - | - | 12 | 90 | T30 | 12 | 1000 | 44 |
| GN 753.1-42-B10-KV-1 | 42 | B 10 | - | - | 12 | 9 | 17 | - | - | - | - | 105 | - | - | 1200 | 44 |
| GN 753.1-42-M8-KV-2 | 42 | - | M 8 | - | 12 | 9 | 17 | 14 | 1.5 | 12 | - | 105 | T30 | - | 1200 | 57 |
| GN 753.1-42-M6-KV-3 | 42 | - | - | M 6 | 12 | 9 | 17 | 14 | - | - | 12 | 105 | T30 | 12 | 1200 | 64 |
| GN 753.1-50-B10-KV-1 | 50 | B 10 | - | - | 14 | 11 | 19 | - | - | - | - | 125 | - | - | 1500 | 74 |
| GN 753.1-50-M8-KV-2 | 50 | - | M 8 | - | 14 | 11 | 19 | 14 | 1.5 | 12 | - | 125 | T30 | - | 1500 | 89 |
| GN 753.1-50-M6-KV-3 | 50 | - | - | M 6 | 14 | 11 | 19 | 14 | - | - | 12 | 125 | T30 | 12 | 1500 | 95 |

