

GN 751 DIN 71752

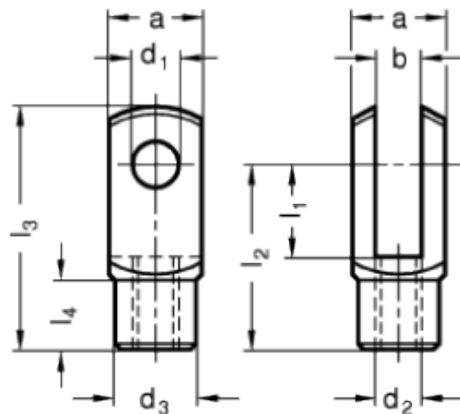
Fork joints
Fork heads



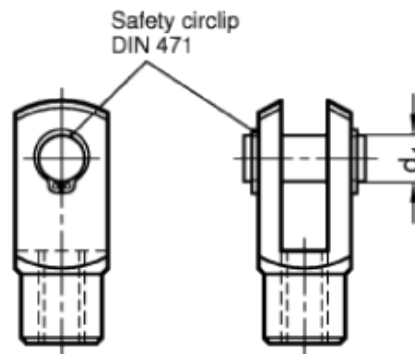
INOX
Stainless Steel



Fork head DIN 71752



Fork joint GN 751



technical informations

Material

AISI 303 stainless steel.

Applications

GN 751 fork joints consist of a fork head DIN 71752 assembled with fork pin with safety circlip (type A). AISI 303 stainless steel, thanks to its high resistance to corrosion, allows the application of these fork joints on machines and equipment in those sectors where laws or particular hygienic, climatic and environmental factors make it mandatory to use corrosion resistant materials.

Standard Elements		Main dimensions										Weight
Off pin	Complete											
Description	Description	d_1 H8/h11	l_1	d_2	a	b	d_3	l_2	l_3	l_4	g	
DIN 71752-4-8-M4-NI	GN 751-4-8-M4-A-NI	4	8	M4	8	4	8	16	21	6	5	
DIN 71752-4-16-M4-NI	GN 751-4-16-M4-A-NI	4	16	M4	8	4	8	24	29	6	6	
DIN 71752-5-10-M5-NI	GN 751-5-10-M5-A-NI	5	10	M5	10	5	9	20	26	7.5	9	
DIN 71752-5-20-M5-NI	GN 751-5-20-M5-A-NI	5	20	M5	10	5	9	30	36	7.5	19	
DIN 71752-6-12-M6-NI	GN 751-6-12-M6-A-NI	6	12	M6	12	6	10	24	31	9	20	
DIN 71752-6-24-M6-NI	GN 751-6-24-M6-A-NI	6	24	M6	12	6	10	36	43	9	30	
DIN 71752-8-16-M8-NI	GN 751-8-16-M8-A-NI	8	M8	14	42	32	16	12	16	12	45	
DIN 71752-8-32-M8-NI	GN 751-8-32-M8-A-NI	8	32	M8	16	8	14	48	58	12	60	
DIN 71752-10-20-M10-NI	GN 751-10-20-M10-A-NI	10	20	M10	20	10	18	40	52	15	90	
DIN 71752-10-40-M10-NI	GN 751-10-40-M10-A-NI	10	40	M10	20	10	18	60	72	15	120	
DIN 71752-12-24-M12-NI	GN 751-12-24-M12-A-NI	12	24	M12	24	12	20	48	62	18	144	
DIN 71752-12-48-M12-NI	GN 751-12-48-M12-A-NI	12	48	M12	24	12	20	72	86	18	190	
DIN 71752-14-28-M14-NI	GN 751-14-28-M14-A-NI	14	28	M14	28	14	24	56	72	22.5	220	
DIN 71752-14-56-M14-NI	GN 751-14-56-M14-A-NI	14	56	M14	28	14	24	85	101	22.5	280	
DIN 71752-16-32-M16-NI	GN 751-16-32-M16-A-NI	16	32	M16	32	16	26	64	83	24	335	
DIN 71752-16-64-M16-NI	GN 751-16-64-M16-A-NI	16	64	M16	32	16	26	96	115	24	460	
DIN 71752-20-40-M20-NI	GN 751-20-40-M20-A-NI	20	40	M20	40	20	34	80	105	30	800	



STANDARD MACHINE ELEMENTS WORLDWIDE