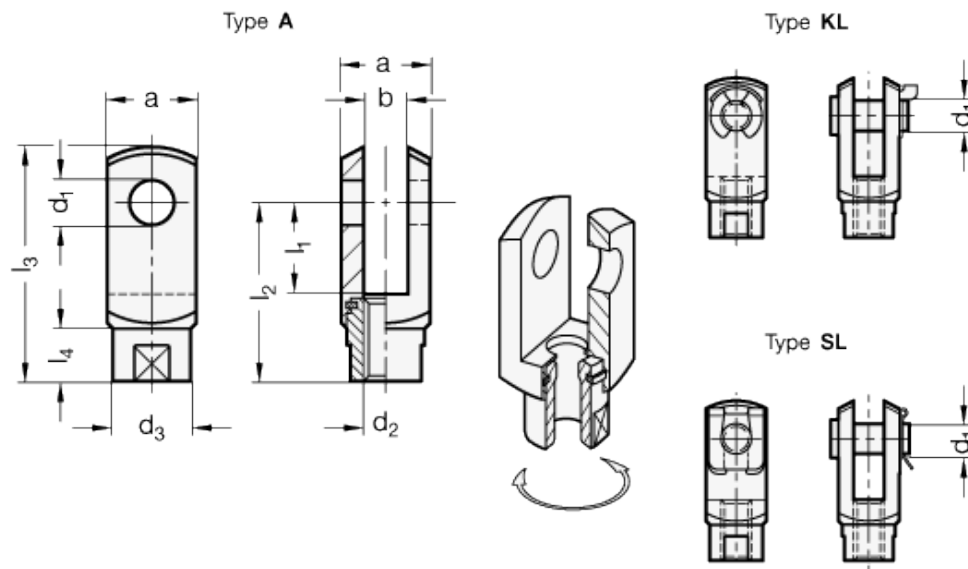


GN 751.1

Fork joints



technical informations

Specification

Types

- Type A: without pin
- Type KL: Pin with KL-shaft safety
- Type SL: Pin with SL-shaft safety

Steel

- Tensile strength 500 N/mm²
- zinc plated, blue passivated

Shaft safety

- Spring steel
- hardened and tempered
- zinc plated, blue passivated

Information

Fork joints GN 751.1 basically correspond to the fork head of DIN 71752 (Type A), but, unlike the DIN element, they have a rotating shaft and an additional bolt with axial shaft lock (Type KL and SL) which can be mounted and dismantled without tools. The rotating shaft allows non-dynamic radial movements to be compensated, movements which may occur e.g. when using cable winches. Also, there is no need for the otherwise necessary alignment of joint heads during assembly.

Standard Elements	Main dimensions											Weight
Description	d ₁ H9/h11	l ₁	d ₂	a	b	d ₃	l ₂	l ₃	l ₄	A/F	Obciążenie statyczne N	g
GN 751.1-5-10-M5-A	5	10	M5	10	5	9	20	26	4	7	800	-
GN 751.1-5-20-M5-A	5	20	M5	10	5	9	30	36	4	7	800	-
GN 751.1-6-12-M6-A	6	12	M6	12	6	10	24	31	5.5	9	2400	-
GN 751.1-6-24-M6-A	6	24	M6	12	6	10	24	31	5.5	9	2400	-
GN 751.1-8-16-M8-A	8	16	M8	16	8	14	32	42	8	12	3400	-
GN 751.1-8-32-M8-A	8	32	M8	16	8	14	48	58	8	12	3400	-
GN 751.1-10-20-M10-A	10	20	M10	20	10	18	40	52	11.5	16	6000	-
GN 751.1-10-40-M10-A	10	40	M10	20	10	18	60	72	11.5	16	6000	-
GN 751.1-12-24-M12-A	12	24	M12	24	12	20	48	62	14	18	14000	-
GN 751.1-12-48-M12-A	12	48	M12	24	12	20	72	86	14	18	14000	-
GN 751.1-5-10-M5-KL	5	10	M5	10	5	9	20	26	4	7	800	-
GN 751.1-5-20-M5-KL	5	20	M5	10	5	9	20	26	4	7	800	-
GN 751.1-6-12-M6-KL	6	12	M6	12	6	10	24	31	5.5	9	2400	-
GN 751.1-6-24-M6-KL	6	24	M6	12	6	10	36	43	5.5	9	2400	-
GN 751.1-8-16-M8-KL	8	16	M8	16	8	14	32	42	8	12	3400	-
GN 751.1-8-32-M8-KL	8	32	M8	16	8	14	48	58	8	12	3400	-
GN 751.1-10-20-M10-KL	10	20	M10	20	10	18	40	52	11.5	16	6000	-
GN 751.1-10-40-M10-KL	10	40	M10	20	10	18	60	72	11.5	16	6000	-
GN 751.1-12-24-M12-KL	12	24	M12	24	12	20	48	62	14	18	14000	-
GN 751.1-12-48-M12-KL	12	48	M12	24	12	20	72	86	14	18	14000	-
GN 751.1-5-10-M5-SL	5	10	M5	10	5	9	20	26	4	7	800	-
GN 751.1-5-20-M5-SL	5	20	M5	10	5	9	30	36	4	7	800	-
GN 751.1-6-12-M6-SL	6	12	M6	12	6	10	24	31	5.5	9	2400	-
GN 751.1-6-24-M6-SL	6	24	M6	12	6	10	36	43	5.5	9	2400	-
GN 751.1-8-16-M8-SL	8	16	M8	16	8	14	32	42	8	12	3400	-
GN 751.1-8-32-M8-SL	8	32	M8	16	8	14	48	58	8	12	3400	-
GN 751.1-10-20-M10-SL	10	20	M10	20	10	18	40	52	11.5	16	6000	-
GN 751.1-10-40-M10-SL	10	40	M10	20	10	18	60	72	11.5	16	6000	-
GN 751.1-12-24-M12-SL	12	24	M12	24	12	20	48	62	14	18	14000	-
GN 751.1-12-48-M12-SL	12	48	M12	24	12	20	72	86	14	18	14000	-



STANDARD MACHINE ELEMENTS WORLDWIDE