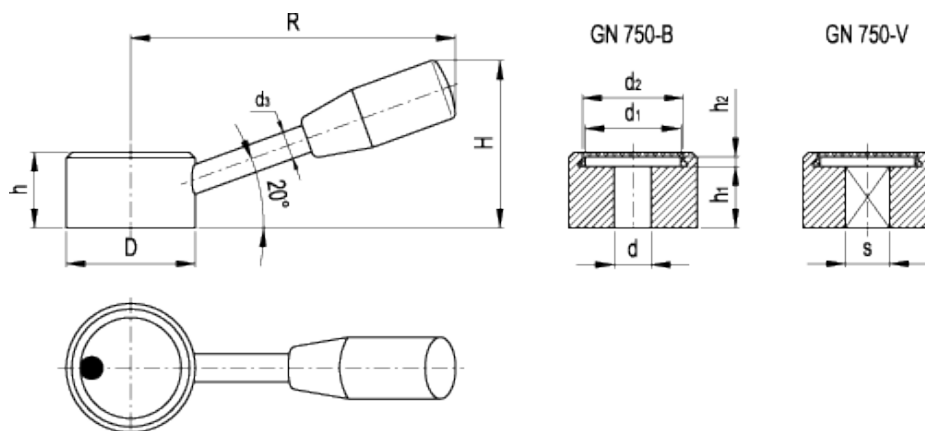


GN 750

Control levers



technical informations

Assembly

Black-oxide steel hub.

- Execution B: H7 reamed through hole.
- Execution K: H7 reamed through hole and keyway in compliance with [DIN 6885/1 P9 tolerance](#).
- Execution V: H11 tolerance square through hole.

For fixing GN 750 on shafts by a grub screw see [Technical Data](#).

Hub cap

Acetal resin based (POM) technopolymer, light grey colour. Resistant to solvents, oils, greases and other chemical agents.

- Execution M: black index.
- Execution N: plain.

Lever arm

Black-oxide steel with cylindrical handle type [I.280](#) in phenolic based (PF) Duroplast, black colour, glossy finish.

Standard Elements	Main dimensions								Mounting hole			Weight
	Description	D	R	H	h	h ₂	d ₁	d ₂	d ₃	d _{H7}	s _{H11}	
GN 750-32-B10-M	32	84	43	21	4.2	23	25	8	10	-	15	123
GN 750-32-B10-N	32	84	43	21	4.2	23	25	8	10	-	15	123
GN 750-32-K10-M	32	84	43	21	4.2	23	25	8	10	-	15	121
GN 750-32-K10-N	32	84	43	21	4.2	23	25	8	10	-	15	121
GN 750-32-V10-M	32	84	43	21	4.2	23	25	8	-	10	15	116
GN 750-32-V10-N	32	84	43	21	4.2	23	25	8	-	10	15	116
GN 750-40-B10-M	40	106	54	25	4	30	32	9	10	-	19	239
GN 750-40-B10-N	40	106	54	25	4	30	32	9	10	-	19	239
GN 750-40-K10-M	40	106	54	25	4	30	32	9	10	-	19	236
GN 750-40-K10-N	40	106	54	25	4	30	32	9	10	-	19	236
GN 750-40-V10-M	40	106	54	25	4	30	32	9	-	10	19	232
GN 750-40-V10-N	40	106	54	25	4	30	32	9	-	10	19	232
GN 750-40-B12-M	40	106	54	25	4	30	32	9	12	-	19	232
GN 750-40-B12-N	40	106	54	25	4	30	32	9	12	-	19	232
GN 750-40-K12-M	40	106	54	25	4	30	32	9	12	-	19	229
GN 750-40-K12-N	40	106	54	25	4	30	32	9	12	-	19	229
GN 750-40-V12-M	40	106	54	25	4	30	32	9	-	12	19	225
GN 750-40-V12-N	40	106	54	25	4	30	32	9	-	12	19	225
GN 750-50-B14-M	50	130	63	28	3.8	37.5	40	11	14	-	22	412
GN 750-50-B14-N	50	130	63	28	3.8	37.5	40	11	14	-	22	412
GN 750-50-K14-M	50	130	63	28	3.8	37.5	40	11	14	-	22	408
GN 750-50-K14-N	50	130	63	28	3.8	37.5	40	11	14	-	22	408
GN 750-50-V14-M	50	130	63	28	3.8	37.5	40	11	-	14	22	400
GN 750-50-V14-N	50	130	63	28	3.8	37.5	40	11	-	14	22	400
GN 750-50-B16-M	50	130	63	28	3.8	37.5	40	11	16	-	22	406
GN 750-50-B16-N	50	130	63	28	3.8	37.5	40	11	16	-	22	406
GN 750-50-K16-M	50	130	63	28	3.8	37.5	40	11	16	-	22	402
GN 750-50-K16-N	50	130	63	28	3.8	37.5	40	11	16	-	22	402
GN 750-50-V16-M	50	130	63	28	3.8	37.5	40	11	-	16	22	403
GN 750-50-V16-N	50	130	63	28	3.8	37.5	40	11	-	16	22	403

This product had the following design awards:



drawings.

STANDARD MACHINE ELEMENTS WORLDWIDE