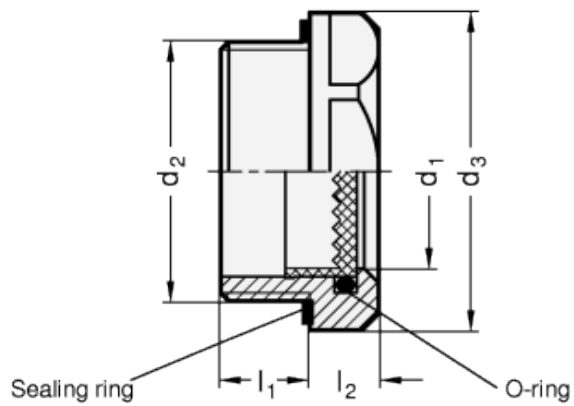
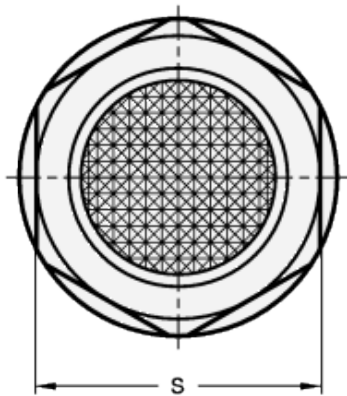


GN 744

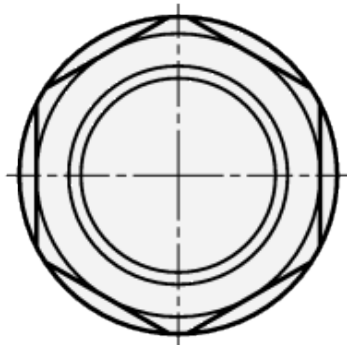
Oil level indicators
with prismatic window



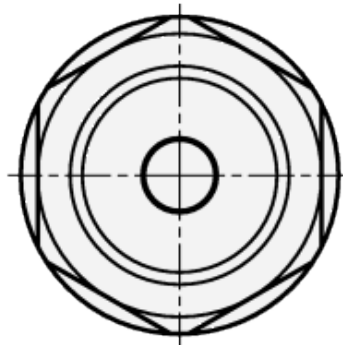
Type A



Type B



Type C



- Type A: with prismatic effect (only d1 = 14/18/24)
- Type B: without contrast Screen (all sizes)
- Type C: with red marking ring (only d1 = 11/14/18/24)

Body
Aluminium
fine turned

Sight glass
Plastic
- crystal-clear Polyamide (PA-T)
- temperature resistant up to 110 °C

Red marking ring
pad printing

Sealing ring
Rubber NBR (Perbunan)

Accessories on request

Fixing nuts GN 543.1

Features and applications

GN 744 oil level indicators can be used on pressurised oil tanks (oil-proof resistance data available on request).
The seal between the aluminium body and the technopolymer prismatic window is guaranteed by a packing ring in NBR synthetic rubber.

Standard Elements		Main dimensions					Weight	
Description	d ₁	d ₂	d ₃	l ₁	l ₂	s	g	
GN 744-14-G1/2-A	14	G1/2	26	8.5	7.5	23	-	
GN 744-14-M20x1.5-A	14	M20x.15	26	8.5	7.5	23	-	
GN 744-18-G3/4-A	18	G3/4	32	9	8	30	-	
GN 744-18-M26x1.5-A	18	M26x1.5	32	9	8	30	-	
GN 744-18-M27x1.5-A	18	M27x1.5	32	9	8	30	-	
GN 744-24-G1-A	24	G1	40	11	8.5	36	-	
GN 744-24-M33x1.5-A	24	M33x1.5	40	11	8.5	36	-	
Standard Elements		Main dimensions					Weight	
Description	d ₁	d ₂	d ₃	l ₁	l ₂	s	g	
GN 744-7-G1/4-B	8	G1/4	20	7.5	6.5	18	-	
GN 744-7-M12x1.5-B	7	M12x1.5	20	7.5	6.5	18	-	
GN 744-11-G3/8-B	11	G3/8	22	8	7.5	20	-	
GN 744-11-M16x1.5-B	11	M16x1.5	22	8	7.5	20	-	
GN 744-14-G1/2-B	14	G1/2	26	8.5	7.5	23	-	
GN 744-14-M20x1.5-B	14	M20x.15	26	8.5	7.5	23	-	
GN 744-18-G3/4-B	18	G3/4	32	9	8	30	-	
GN 744-18-M26x1.5-B	18	M26x1.5	32	9	8	30	-	
GN 744-18-M27x1.5-B	18	M27x1.5	32	9	8	30	-	
GN 744-24-G1-B	24	G1	40	11	8.5	36	-	
GN 744-24-M33x1.5-B	24	M33x1.5	40	11	8.5	36	-	
Description		d ₁	d ₂	d ₃	l ₁	l ₂	s	g
GN 744-11-G3/8-C		11	G3/8	22	8	7.5	20	
GN 744-11-M16x1.5-C		11	M16x1.5	22	8	7.5	20	
GN 744-14-G1/2-C		14	G1/2	26	8.5	7.5	23	

GN 744-14-M20x1.5-C	14	M20x1.5	26	8.5	7.5	23
GN 744-18-G3/4-C	18	G3/4	32	9	8	30
GN 744-18-M26x1.5-C	18	M26x1.5	32	9	8	30
GN 744-18-M27x1.5-C	18	M27x1.5	32	9	8	30
GN 744-24-G1-C	24	G1	40	11	8.5	36
GN 744-24-M33x1.5-C	24	M33x1.5	40	11	8.5	36



ELESA and GANTER models all rights reserved in accordance with the law. Always mention the source when reproducing our drawings.

STANDARD MACHINE ELEMENTS WORLDWIDE