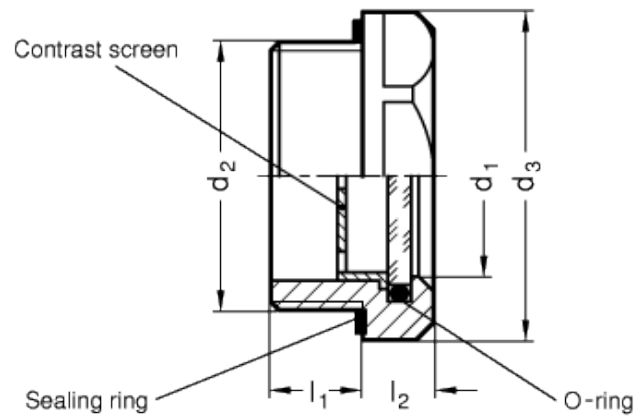
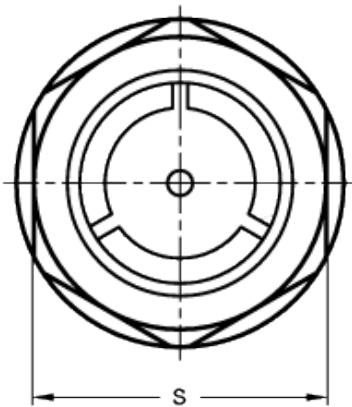
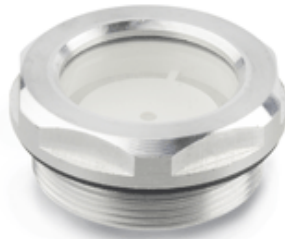


GN 743

Oil level indicators



technical informations

Specification

Types

- Type A: with contrast screen, blank
- Type AS: with contrast screen, black anodised
- Type B: without contrast screen, blank
- Type BS: without contrast screen, black anodized

Body

Aluminium

- Type A and B
fine turned, blank
- Type AS and BS
fine turned, black anodized

Contrast screen Technopolymer (Polysulfon)

- temperature resistant up to 100 °C
- Sight glass Floas-glass
- Sealing ring rubber NBR (Perbunan)

Information

Oil level sight glasses GN 743 offer genuine glass of high stability and scratch proof. The sealing is achieved with an O-ring on the periphery and not on the face edge of the glass. Leak tightness is therefore not affected by axial pressures. The outside diameter of these oil level sight glasses with recessed hexagon is chosen to match mounting holes for tube connections according to DIN 3852. The seal is housed in a groove and it can therefore not be lost. In addition, this groove prevents the seal from being extruded when the sight glass is tightened. Oil level sight glasses GN 743 can be used on pressurised oil tanks. Tests regarding maximum pressure are available on request.

On request

EPDM seal

Standard Elements	Main dimensions						Weight
Description	d ₁	d ₂	d ₃	l ₁	l ₂	s	g
GN 743-7-M14x1.5-A	7	M14x1.5	20	7.5	6.5	18	6
GN 743-7-M14x1.5-AS	7	M14x1.5	20	7.5	6.5	18	6
GN 743-11-M16x1.5-A	11	M16x1.5	22	8	7.5	20	8
GN 743-11-M16x1.5-AS	11	M16x1.5	22	8	7.5	20	8
GN 743-14-M20x1.5-A	14	M20x1.5	26	8.5	7.5	23	10
GN 743-14-M20x1.5-AS	14	M20x1.5	26	8.5	7.5	23	10
GN 743-18-M26x1.5-A	18	M26x1.5	32	9	8	30	18
GN 743-18-M26x1.5-AS	18	M26x1.5	32	9	8	30	18
GN 743-18-M27x1.5-A	18	M27x1.5	32	9	8	30	18
GN 743-18-M27x1.5-AS	18	M27x1.5	32	9	8	30	18
GN 743-24-M33x1.5-A	24	M33x1.5	40	11	8.5	36	26
GN 743-24-M33x1.5-AS	24	M33x1.5	40	11	8.5	36	26
GN 743-32-M40x1.5-A	32	M40x1.5	50	12	8.5	46	39
GN 743-32-M40x1.5-AS	32	M40x1.5	50	12	8.5	46	39
GN 743-32-M42x1.5-A	32	M42x1.5	50	12	9	46	43
GN 743-32-M42x1.5-AS	7	M42x1.5	50	12	6.5	46	43
GN 743-7-G1/4-A	7	G1/4	20	7.5	6.5	18	6
GN 743-7-G1/4-AS	11	G1/4	20	7.5	6.5	18	6
GN 743-11-G3/8-A	11	G 3/8	22	8	7.5	20	9
GN 743-11-G3/8-AS	11	G3/8	22	8	7.5	23	11
GN 743-14-G1/2-A	14	G 1/2	26	8.5	7.5	23	11
GN 743-14-G1/2-AS	14	G 1/2	26	8.5	7.5	23	11
GN 743-18-G3/4-A	18	G 3/4	32	9	8	30	18
GN 743-18-G3/4-AS	18	G 3/4	32	9	8	30	18
GN 743-24-G1-A	24	G 1	40	11	8.5	36	26
GN 743-24-G1-AS	24	G 1	40	11	8.5	36	26
GN 743-32-G1¼-A	32	G 1¼	50	12	9	46	42
GN 743-32-G1¼-AS	32	G 1 1/4	50	12	9	46	42
GN 743-32-G1½-A	32	G 1½	60	13	9	55	45
GN 743-32-G1½-AS	32	G1 1/2	60	13	9	55	45
GN 743-7-M14x1.5-B	7	M14x1.5	20	7.5	6.5	18	6
GN 743-7-M14x1.5-BS	7	M14x1.5	20	7.5	6.5	18	6
GN 743-11-M16x1.5-B	11	M16x1.5	22	8	7.5	20	8
GN 743-11-M16x1.5-BS	11	M16x1.5	22	8	7.5	20	8

GN 743-14-M20x1.5-B	14	M20x1.5	26	8.5	7.5	23	10
GN 743-14-M20x1.5-BS	14	M20x1.5	26	8.5	7.5	23	10
GN 743-18-M26x1.5-B	18	M26x1.5	32	9	8	30	18
GN 743-18-M26x1.5-BS	18	M26x1.5	32	9	8	30	18
GN 743-18-M27x1.5-B	18	M27x1.5	32	9	8	30	18
GN 743-18-M27x1.5-BS	18	M27x1.5	32	9	8	30	18
GN 743-24-M33x1.5-B	24	M33x1.5	40	11	8.5	36	26
GN 743-24-M33x1.5-BS	24	M33x1.5	40	11	8.5	36	26
GN 743-32-M40x1.5-B	32	M40x1.5	50	12	8.5	46	39
GN 743-32-M40x1.5-BS	32	M40x1.5	50	12	8.5	46	39
GN 743-32-M42x1.5-B	32	M42x1.5	50	12	9	46	43
GN 743-32-M42x1.5-BS	32	M42x1.5	50	12	9	46	43
GN 743-7-G1/4-B	7	G1/4	20	7.5	6.5	18	6
GN 743-7-G1/4-BS	7	G1/4	20	7.5	6.5	18	6
GN 743-11-G3/8-B	11	G 3/8	22	8	7.5	20	9
GN 743-11-G3/8-BS	11	G3/8	22	8	7.5	20	9
GN 743-14-G1/2-B	14	G 1/2	26	8.5	7.5	23	11
GN 743-14-G1/2-BS	14	G1/2	26	8.5	7.5	23	11
GN 743-18-G3/4-B	18	G 3/4	32	9	8	30	18
GN 743-18-G3/4-BS	18	G3/4	32	9	8	30	18
GN 743-24-G1-B	24	G 1	40	11	8.5	36	26
GN 743-24-G1-BS	24	G 1	40	11	8.5	36	26
GN 743-32-G1¼-B	32	G 1¼	50	12	9	46	42
GN 743-32-G1¼-BS	32	G 1 1/4	50	12	9	46	42
GN 743-32-G1½-B	32	G1½	60	13	9	55	45
GN 743-32-G1½-BS	32	G 1 1/2	60	13	9	55	45



ELESA and GANTER models all rights reserved in accordance with the law. Always mention the source when reproducing our drawings.

STANDARD MACHINE ELEMENTS WORLDWIDE