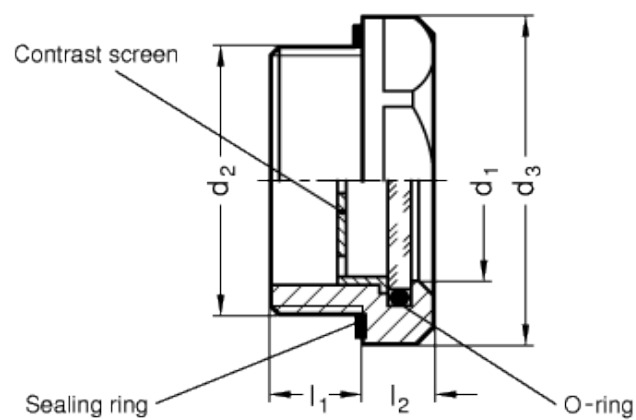
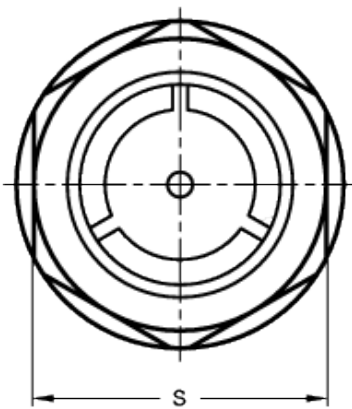


# GN 743.1

Oil level indicators  
for high temperatures



## technical informations

### Specification

#### Types

- Type A: with contrast screen, blank
- Type AS: with contrast screen, black anodized
- Type B: without contrast screen, blank
- Type BS: without contrast screen, black anodized

#### Body

Aluminium

- Type A and B  
fine turned, blank

- Type AS and BS  
fine turned, black anodized

#### Contrast screen

Technopolymer (Polysulfon)

- temperature resistant up to 180 °C
- Sight glass ESG-glass
- Sealing ring rubber FPM (Viton®)

Identification by not black finish of the sealing ring

## Information

Oil level sight glasses GN 743.1 offer genuine glass of high stability and scratch proof. The sealing is achieved with an O-ring on the periphery and not on the face edge of the glass. Leak tightness is therefore not affected by axial pressures.

The outside diameter of these oil level sight glasses with recessed hexagon is chosen to match mounting holes for tube connections according to DIN 3852.

The seal is housed in a groove and it can therefore not be lost. In addition, this groove prevents the seal from being extruded when the sight glass is tightened.

Oil level sight glasses GN 743.1 can be used on pressurised oil tanks. Tests regarding maximum pressure are available on request.

## On request

EPDM seal

Standard Elements	Main dimensions						Weight
Description	d <sub>1</sub>	d <sub>2</sub>	d <sub>3</sub>	l <sub>1</sub>	l <sub>2</sub>	s	g
GN 743.1-7-M14x1.5-A	7	M14x1.5	20	7.5	6.5	18	6
GN 743.1-7-M14x1.5-AS	7	M14x1.5	20	7.5	6.5	18	6
GN 743.1-11-M16x1.5-A	11	M16x1.5	22	8	7.5	20	8
GN 743.1-11-M16x1.5-AS	11	M16x1.5	22	8	7.5	20	8
GN 743.1-14-M20x1.5-A	14	M20x1.5	26	8.5	7.5	23	10
GN 743.1-14-M20x1.5-AS	14	M20x1.5	26	8.5	7.5	23	10
GN 743.1-18-M26x1.5-A	18	M26x1.5	32	9	8	30	18
GN 743.1-18-M26x1.5-AS	18	M26x1.5	32	9	8	30	18
GN 743.1-18-M27x1.5-A	18	M27x1.5	32	9	8	30	18
GN 743.1-18-M27x1.5-AS	18	M27x1.5	32	9	8	30	18
GN 743.1-24-M33x1.5-A	24	M33x1.5	40	11	8.5	36	26
GN 743.1-24-M33x1.5-AS	24	M33x1.5	40	11	8.5	36	26
GN 743.1-32-M40x1.5-A	32	M40x1.5	50	12	9	46	39
GN 743.1-32-M40x1.5-AS	32	M40x1.5	50	12	9	46	39
GN 743.1-32-M42x1.5-A	32	M42x1.5	50	12	9	46	43
GN 743.1-32-M42x1.5-AS	32	M42x1.5	50	12	9	46	43
GN 743.1-7-G1/4-A	7	G1/4	20	7.5	6.5	18	6
GN 743.1-7-G1/4-AS	7	G1/4	20	7.5	6.5	18	6
GN 743.1-11-G3/8-A	11	G 3/8	22	8	7.5	20	9
GN 743.1-11-G3/8-AS	11	G3/8	22	8	7.5	20	9
GN 743.1-14-G1/2-A	14	G 1/2	26	8.5	7.5	23	11
GN 743.1-14-G1/2-AS	14	G1/2	26	8.5	7.5	23	11
GN 743.1-18-G3/4-A	18	G 3/4	32	9	8	30	18
GN 743.1-18-G3/4-AS	18	G3/4	32	9	8	30	18
GN 743.1-24-G1-A	24	G 1	40	11	8.5	36	26
GN 743.1-24-G1-AS	24	G1	40	11	8.5	36	26
GN 743.1-32-G1¼-A	32	G 1¼	50	12	9	46	42
GN 743.1-32-G1¼-AS	32	G 1 1/4	50	12	9	46	42
GN 743.1-32-G1½-A	32	G 1½	60	13	9	55	45
GN 743.1-32-G1½-AS	32	G 1 1/2	60	13	9	55	45

GN 743.1-7-M14x1.5-B	7	M14x1.5	20	7.5	6.5	18	6
GN 743.1-7-M14x1.5-BS	7	M14x1.5	20	7.5	6.5	18	6
GN 743.1-11-M16x1.5-B	11	M16x1.5	22	8	7.5	20	8
GN 743.1-11-M16x1.5-BS	11	M16x1.5	22	8	7.5	20	8
GN 743.1-14-M20x1.5-B	14	M20x1.5	26	8.5	7.5	23	10
GN 743.1-14-M20x1.5-BS	14	M20x1.5	26	8.5	7.5	23	10
GN 743.1-18-M26x1.5-B	18	M26x1.5	32	9	8	30	18
GN 743.1-18-M26x1.5-BS	18	M26x1.5	32	9	8	30	18
GN 743.1-18-M27x1.5-B	18	M27x1.5	32	9	8	30	18
GN 743.1-18-M27x1.5-BS	18	M27x1.5	32	9	8	30	18
GN 743.1-24-M33x1.5-B	24	M33x1.5	40	11	8.5	36	26
GN 743.1-24-M33x1.5-BS	24	M33x1.5	40	11	8.5	36	26
GN 743.1-32-M40x1.5-B	32	M40x1.5	50	12	8.5	46	39
GN 743.1-32-M40x1.5-BS	32	M40x1.5	50	12	8.5	46	39
GN 743.1-32-M42x1.5-B	32	M42x1.5	50	12	9	46	43
GN 743.1-32-M42x1.5-BS	32	M42x1.5	50	12	9	46	43
GN 743.1-7-G1/4-B	7	G1/4	20	7.5	6.5	18	6
GN 743.1-7-G1/4-BS	7	G1/4	20	7.5	6.5	18	6
GN 743.1-11-G3/8-B	11	G 3/8	22	8	7.5	20	9
GN 743.1-11-G3/8-BS	11	G3/8	22	8	7.5	20	9
GN 743.1-14-G1/2-B	14	G 1/2	26	8.5	7.5	23	11
GN 743.1-14-G1/2-BS	14	G1/2	26	8.5	7.5	23	11
GN 743.1-18-G3/4-B	18	G 3/4	32	9	8	30	18
GN 743.1-18-G3/4-BS	18	G3/4	32	9	8	30	18
GN 743.1-24-G1-B	24	G 1	40	11	8.5	36	26
GN 743.1-24-G1-BS	24	G1	40	11	8.5	36	26
GN 743.1-32-G1¼-B	32	G 1¼	50	12	9	46	42
GN 743.1-32-G1¼-BS	32	G1 1/4	50	12	9	46	42
GN 743.1-32-G1½-B	32	G 1½	60	13	9	55	45
GN 743.1-32-G1½-BS	32	G1 1/2	60	13	9	55	45



ELESA and GANTER models all rights reserved in accordance with the law. Always mention the source when reproducing our drawings.

STANDARD MACHINE ELEMENTS WORLDWIDE